

# Circular Connector

## Screw-in, IP67

**multicomp** PRO

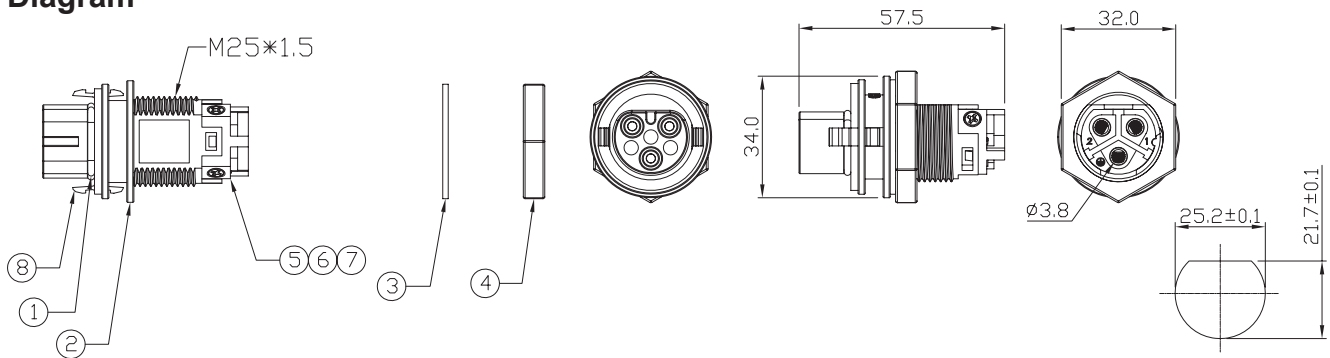
**RoHS  
Compliant**



### Specifications

Current Rating	: 30A
Temperature Range	: -40°C to +105°C
Recommend Panel Thickness	: 0.8mm to 6mm
Recommend Hex Nut Torque	: 19 ~ 20 kgf-cm
Insulation Resistance	: DC 500V ±10%, test for 1 minute and the insulation resistance should be more than 100MΩ
Dielectric Withstanding Voltage	: Power Pin: 2500V AC contact-to-contact, for 1min.
Contact Resistance	: 10mΩ at 10mA Max.
Waterproof Rate	: IP67

### Diagram



Recommend  
Panel Cut-Out

No.	Part Name	Material / Finish	Qty.
1	O-Ring	Silicone; Colour: Red	1
2	Housing	Thermoplastic; Colour: Black	1
3	Gasket	Silicone; Colour: Black	
4	Hex Nut	Thermoplastic; Colour: Black	
5	Contacts	Copper Alloy; Finish: Ni Plated	3
6	Fixed Lid Male 3P	Thermoplastic; Colour: Black	1
7	Machine Screw	SUS303	3
8	Clamp	Thermoplastic; Colour: Red	1

### Part Number Table

Description	Part Number
Circular Connector, M25 Male, Panel Mount, 30A, 3P	MP011924

Dimensions : Millimetres

**Important Notice** : This data sheet and its contents (the "Information") belong to the members of the AVNET group of companies (the "Group") or are licensed to it. No licence is granted for the use of it other than for information purposes in connection with the products to which it relates. No licence of any intellectual property rights is granted. The Information is subject to change without notice and replaces all data sheets previously supplied. The Information supplied is believed to be accurate but the Group assumes no responsibility for its accuracy or completeness, any error in or omission from it or for any use made of it. Users of this data sheet should check for themselves the Information and the suitability of the products for their purpose and not make any assumptions based on information included or omitted. Liability for loss or damage resulting from any reliance on the Information or use of it (including liability resulting from negligence or where the Group was aware of the possibility of such loss or damage arising) is excluded. This will not operate to limit or restrict the Group's liability for death or personal injury resulting from its negligence. Multicomp Pro is the registered trademark of Premier Farnell Limited 2019.

Newark.com/multicomp-pro  
Farnell.com/multicomp-pro  
sg.element14.com/b/multicomp-pro

**multicomp** PRO