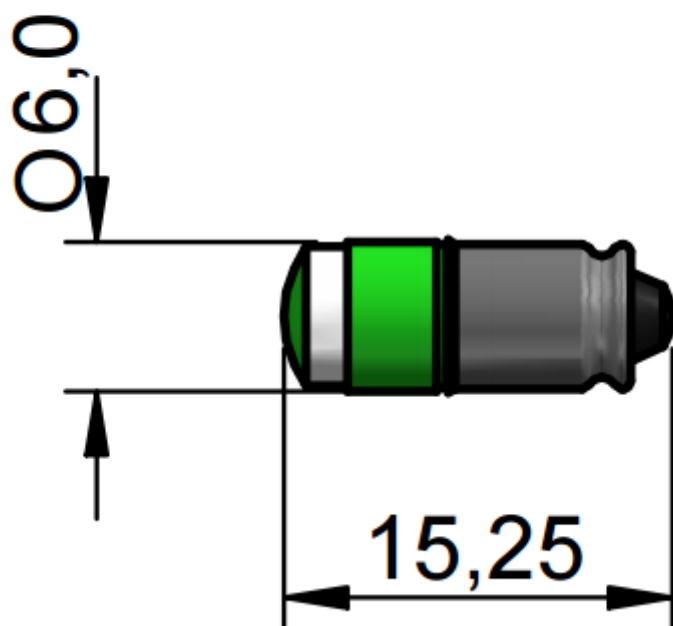


# Datasheet

## LED Indicator Lamp

RS ITEM NO 206-075



LED/Multiled	<i>Multiled</i>	Optimum voltage (V)	<i>12vac/dc</i>	Intensity	<i>35mcd</i>
Mounting Size	<i>T1 3/4</i>	Rectifier	<i>Half Wave</i>		
Mounting Finish		AC current	<i>15mA</i>		
Protection	<i>Protection Diode</i>	DC current	<i>20mA</i>		
Mount Holder	<i>Midget Groove</i>	Voltage Tolerance (%)	<i>10%</i>		
Chip Qty	<i>6</i>	Optimum temperature (°C)	<i>-30°C...+65°C</i>		
Indicator colour	<i>Green</i>	Storage temperature (°C)	<i>-30°C...+65°C</i>		
Wavelength (nm)	<i>565</i>	Contact Tab	<i>Midget Groove</i>		



*Dimension in mm (typical), not to scale.  
We reserve the right to make changes without further notice to this product to improve reliability, function or design.*