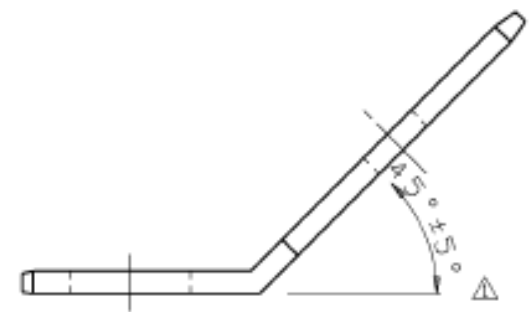
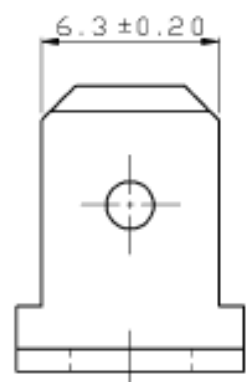
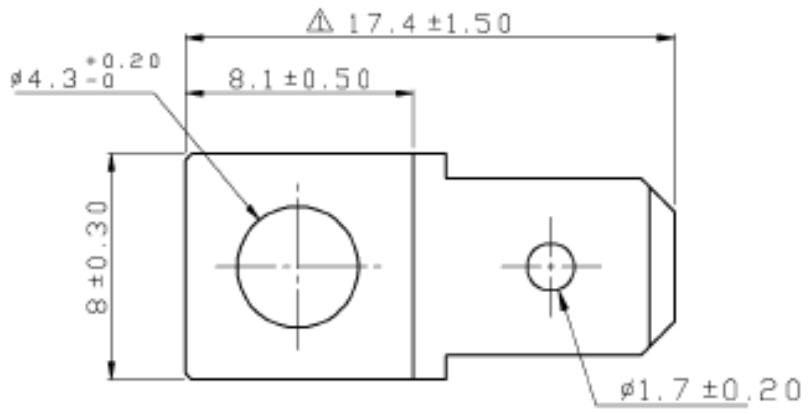


REV	DESCRIPTION	DATE
△	RDCM-102138	張馨尹 2013/08/05



Tolerance Unless Otherwise Specified	
0 > 6 mm	± 0.20
6 > 10 mm	± 0.30
10 > 30 mm	± 0.40
30 > 75 mm	± 0.50

NOTE :
 : LOOSE PIECE , STANDARD CHEMICAL TREATMENT (BRASS FINISH)

THICKNESS : 0.8 mm

NAME	MALE TERMINALS			UNIT	mm	
PART NO.	See Chart	MATERIAL	BRASS	APPROVE		
NUMBER	KT-94618-C	SCALE	SHEET	PAGE	CHECKED	
DATE	2006/04/04	4/1	1-1	20F3	DRAWN	張馨尹

RS PRO 178-8407