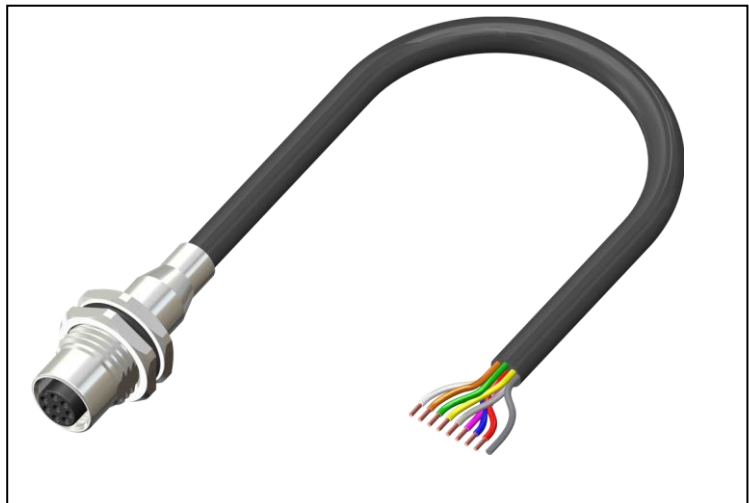


FEATURES

- IP67
- 360° Shielding
- Pre-wired with 100, 200, 300, or 400 mm partially stripped cable
- 4, 5, 8 and 12 pole versions

RS PRO M12 FEMALE M16 x 1.5 REAR PANEL MOUNT SHIELDED CONNECTOR 8 PIN 5m BLACK PUR CABLE

RS Stock No.: 2305710



RS Professionally Approved Products bring to you professional quality parts across all product categories. Our product range has been tested by engineers and provides a comparable quality to

the leading brands without paying a premium price.

Product Description

ATTRIBUTE 1

M12 Connector M16 Clamp Nut

A series of RS Pro M12 panel-mounted connectors. Each connector within this range is supplied with a partially stripped 100 mm, 200 mm or 300 mm or customised length cable, making it perfect for your application. With IP67 rating and a durable nickel plated brass housing material, each connector is excellent within harsh environments. All models are highly reliable and excellent quality.

Features & Benefits

Contact Plating: Gold plated Supplied with a neoprene O-Ring

Number of poles: 8

Both Female and Male versions available

General Specifications

Rated Operational Voltage	30 V
Current Rating	2A
Insulation Resistance	>= 100 MΩ
Temperature Range	-25°C ... +75°C
Coding	A-Coded
Coupling	Thread Locking
Shield	Yes
Mounting	Rear (M16 x 1.5)

Material Specifications

Housing Material	Brass Ni Plated
Contact	Cu-Zn
Contact Plating	Gold Flash
Contact Carrier	Nylon 66
O-Ring	Neoprene
No. of Pole	8
Clamp Nut	M16 x 1.5

Cable Specifications

Cable Length-L	5 m
Cable Type	8 Core PUR Multi Strand
Sheath Color	Black
Cross Section of Wire	0.25 sq. mm
Core Dia	1.2 mm
Cable Dia	6.0 ± 0.1 mm
Termination	Partially Stripped

Protection Category

Degree of Protection	IP67
----------------------	------

Additional Information

Custom Tariff Number	85369090
----------------------	----------

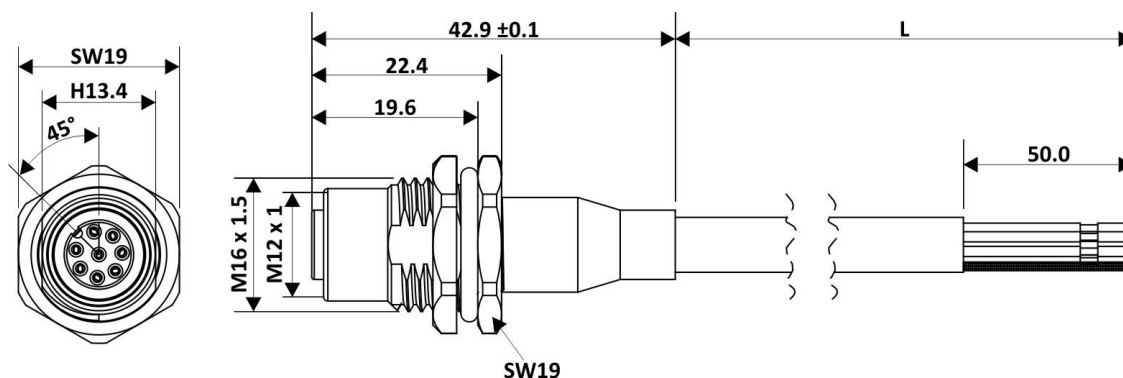
Approvals

Standards Met	IEC 61076-2-101
---------------	-----------------

Similar Products

Stock No.	Brand	Product Name	Attribute 1	Attribute 2
2305708	RS PRO	M12 Female Rear Panel Mount 8 pin 2m Shielded Cable	M12 Panel Connector Rear M16 x 1.5 mm	M12 Rear Panel Mount 8 Pole Female 2m 0.25 sq mm cable

Connection Diagrams / Assembly Diagrams / Illustrations / Accessories



All Dimensions are in mm.

Panel Cutout

