

Datasheet

RS PRO RS-H32B Heavy Duty Housing



The RS PRO Heavy-Duty Connector series is a full range of heavy-duty inserts, housings, crimps and accessories. The housing is produced from corrosion resistant, powder coated, die cast Aluminium with locking levers made from galvanized Iron. These are available in standard or tall variations with both single and double locking options and offer IP65 protection. Created for applications that are subjected to harsh environments or where high vibration can cause standard connectors to fail makes these connectors ideal for food & beverage manufacturing, packaging machines, conveyor belt systems, railway, oil & gas processing and other industrial automation. The entire range of connectors are RoHS compliant and as with all RS PRO products, offer exceptional value for money.

Features & Benefits:

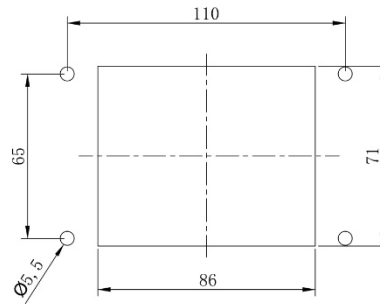
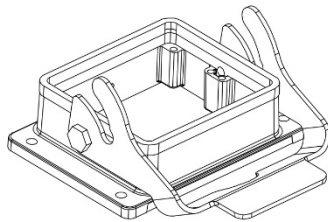
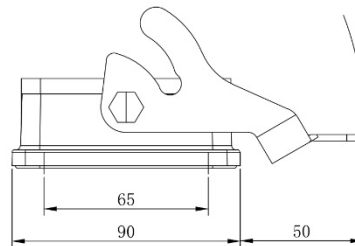
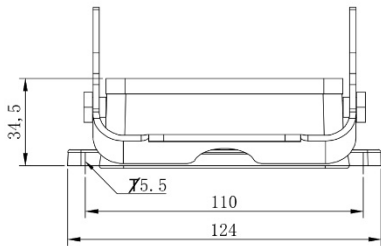
- Aluminium Die Cast Housing
- Powder Coated Surface
- IP65
- For use with PG or M style Cable Glands
- Fits RS PRO Heavy Duty Inserts

Quality Standards



Dimensional line drawings

Bulkhead Mount 1 Locking Lever 208-4148



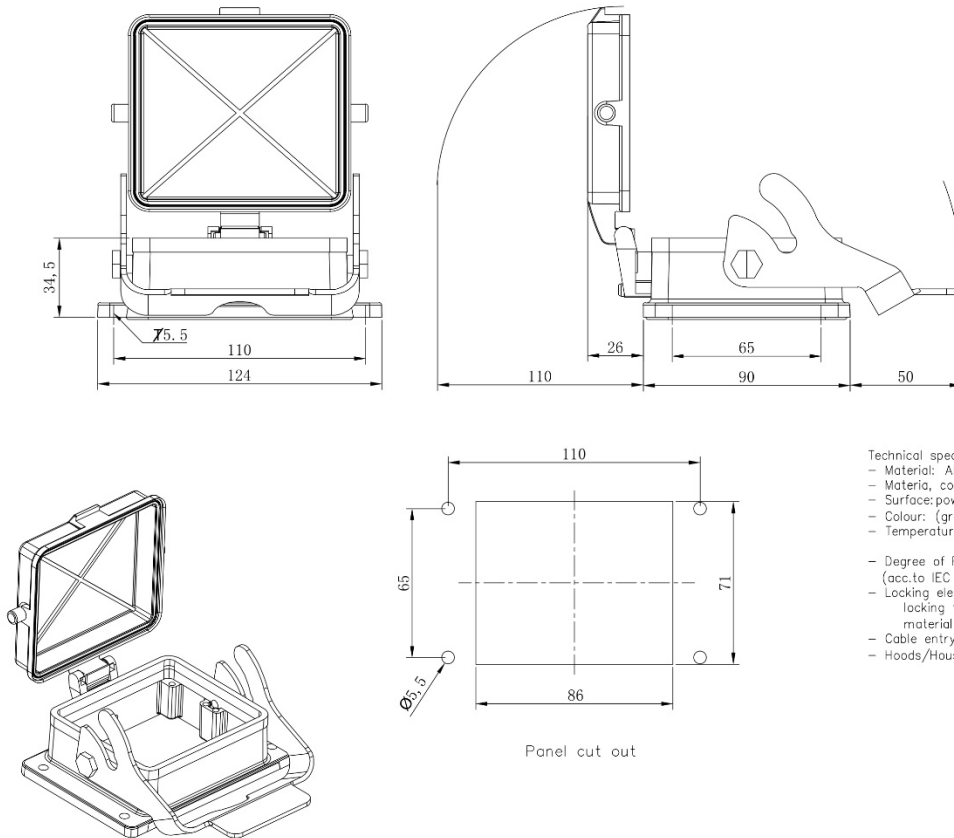
Panel cut out

Technical specification:

- Material: Aluminium die-cast
- Surface: powder-coated
- Colour: (grey)
- Temperature range: -40°C - +125°C
- Degree of Protection: IP65
(acc.to IEC 60529 for coupled connector)
- Locking element:
 - locking type: single locking latch
 - material: metal galvanized/nickel plating
- Cable entry: bottom entry
- Hoods/Housings sealing: NBR

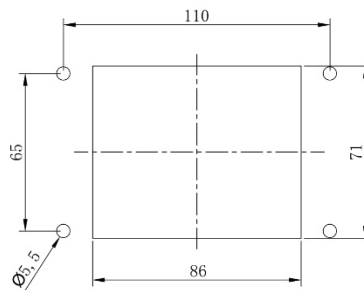
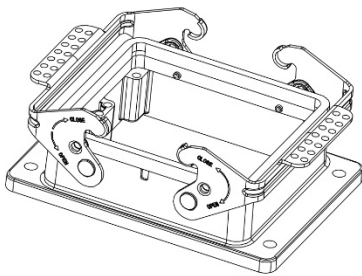
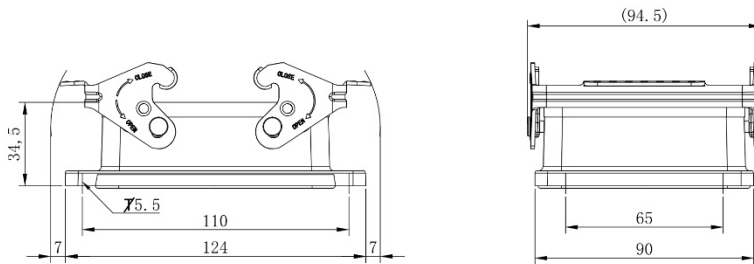
Dimensional line drawings

Bulkhead Mount 1 Locking Lever with Plastic Cover 208-4149



Dimensional line drawings

Bulkhead Mount 2 Locking Levers 208-4150



Panel cut out

Technical specification:

- Material: Aluminium die-cast
- Surface: powder-coated
- Colour: (grey)
- Temperature range:
 - 40°C - +125°C
- Degree of Protection: IP65
(acc.to IEC 60529 for coupled connector)
- Locking element:
 - locking type: double locking latch
 - material: metal galvanized/nickel plating
- Cable entry: bottom entry
- Hoods/Housings sealing: NBR

Dimensional line drawings

Cable to Cable 2 Locking Levers

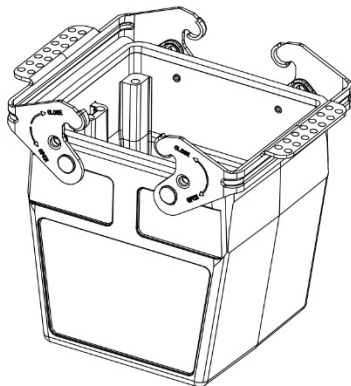
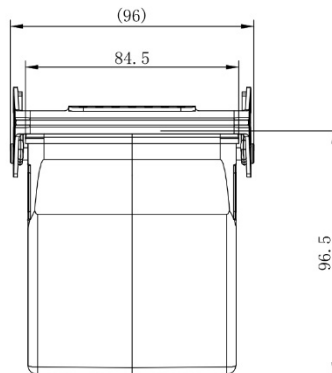
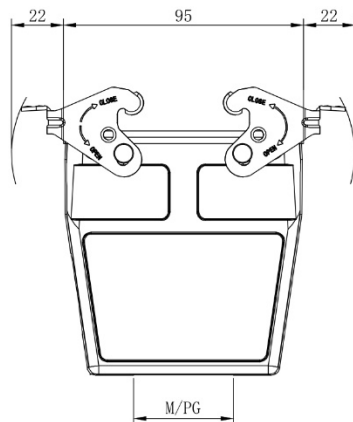
M32 = 208-4152

M40 = 208-4153

PG29 = 208-4154

PG36 = 208-4155

PG42 = 208-4156



Technical specification:

- Material: Aluminium die-cast
- Surface: powder-coated
- Colour: (grey)
- Temperature range:
 - 40°C - +125°C
- Degree of Protection: IP65
(acc.to IEC 60529 for coupled connector)
- Locking element:
 - locking type: double locking latch
 - material: metal galvanized/nickel plating
- Cable entry: top entry
- No. of cable entries: 1
- Thread size: M/PG
- Hoods/Housings sealing: NBR

Dimensional line drawings

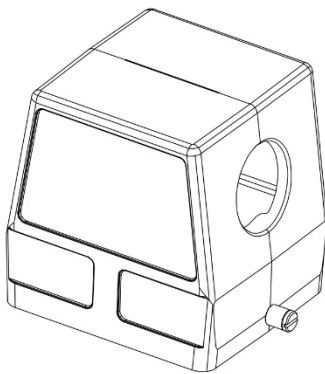
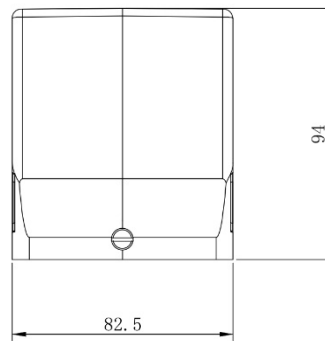
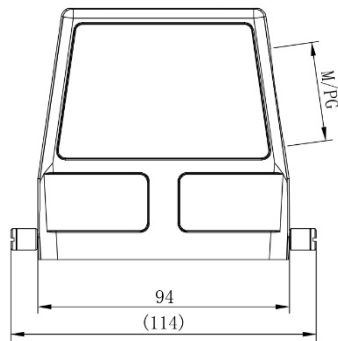
Side Entry Hood 2 Locking Points

M32 = 208-4157

PG29 = 208-4158

PG36 = 208-4159

PG42 = 208-4160



Technical specification:

- Material: Aluminium die-cast
- Surface: powder-coated
- Colour: (grey)
- Temperature range:
 - 40 °C - +125 °C
- Degree of Protection: IP65
(acc.to IEC 60529 for coupled connector)
- Cable entry: side entry
- No. of cable entries: 1
- Thread size: M/PG

Dimensional line drawings

Side Entry Hood 4 Locking Points

M32 = 208-4161

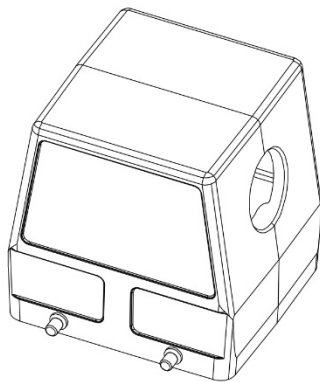
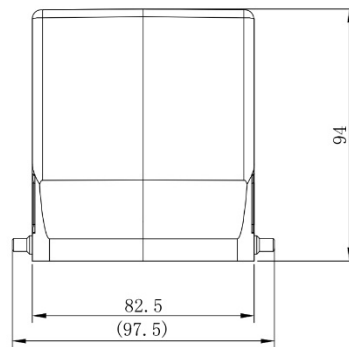
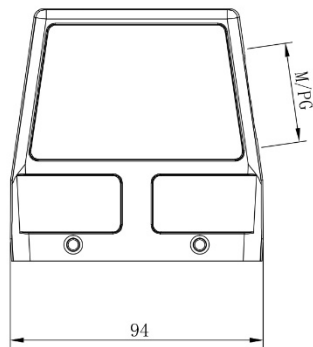
M40 = 208-4162

M50 = 208-4163

PG29 = 208-4164

PG36 = 208-4165

PG42 = 208-4166



Technical specification:

- Material: Aluminium die-cast
- Surface: powder-coated
- Colour: (grey)
- Temperature range:
-40°C - +125°C
- Degree of Protection: IP65
(acc. to IEC 60529 for coupled connector)
- Cable entry: side entry
- No. of cable entries: 1
- Thread size: M/PG

Dimensional line drawings

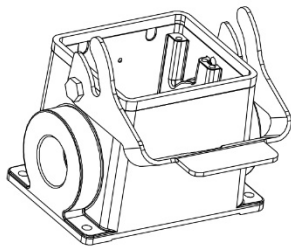
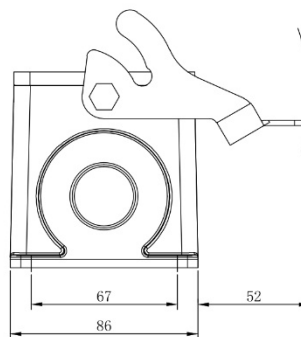
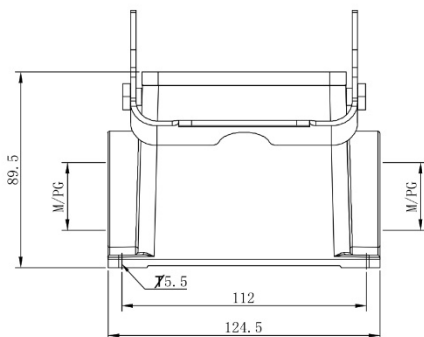
Surface Mount 1 Locking Lever 2 Cable Openings

2xM32 = 208-4168

2xM40 = 208-4169

2xPG29 = 208-4170

2xPG36 = 208-4171



- Technical specification:
- Material: Aluminium die-cast
 - Surface: powder-coated
 - Colour: (grey)
 - Temperature range:
 - 40°C - +125°C
 - Degree of Protection: IP65
(acc.to IEC 60529 for coupled connector)
 - Locking element:
 - locking type: single locking latch
 - material: metal galvanized/nickel plating
 - Cable entry: side entry
 - No. of cable entries: 2
 - Thread size: M/PG
 - Hoods/Housings sealing: NBR

Dimensional line drawings

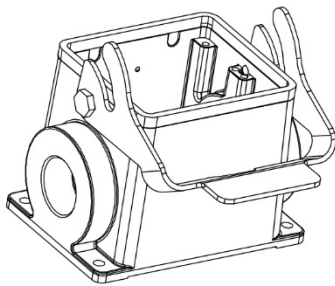
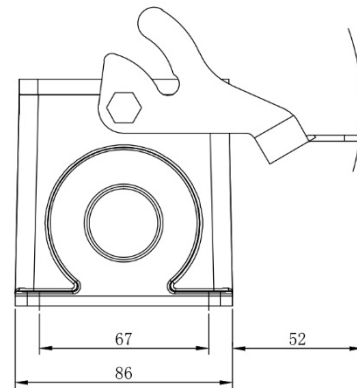
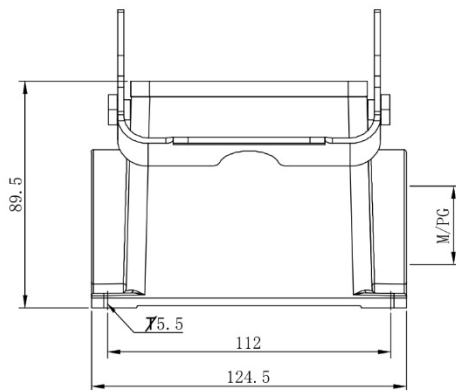
Surface Mount 1 Locking Lever Single Cable Opening

M32 = 208-4181

M40 = 208-4182

PG29 = 208-4183

PG36 = 208-4184



Technical specification:

- Material: Aluminium die-cast
- Surface: powder-coated
- Colour: (grey)
- Temperature range:
 - 40°C - +125°C
- Degree of Protection: IP65
(acc.to IEC 60529 for coupled connector)
- Locking element:
 - locking type: single locking latch
 - material: metal galvanized/nickel plating
- Cable entry: side entry
- No. of cable entries: 1
- Thread size: M/PG
- Hoods/Housings sealing: NBR

Dimensional line drawings

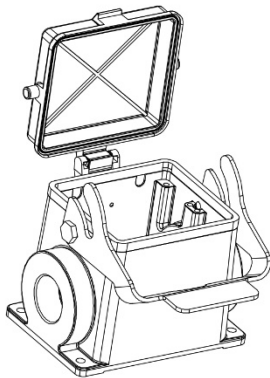
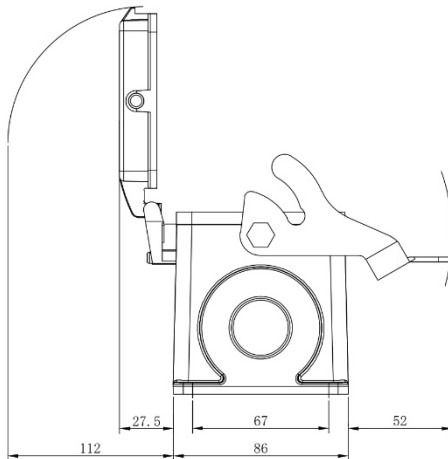
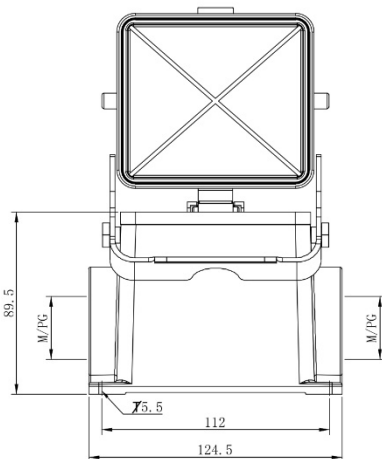
Surface Mount 1 Locking Lever 2 Cable Openings with Plastic Cover

2xM32 = 208-4172

2xM40 = 208-4174

2xPG29 = 208-4175

2xPG36 = 208-4176



Technical specification:

- Material: Aluminium die-cast
- Material, cover: PC
- Surface: powder-coated
- Colour: (grey)
- Temperature range: -40°C - +125°C
- Degree of Protection: IP65 (acc.to IEC 60529 for coupled connector)
- Locking element:
 - locking type: single locking latch
 - material: metal galvanized/nickel plating
- Cable entry: side entry
- No. of cable entries: 2
- Thread size: M/PG
- Hoods/Housings sealing: NBR

Dimensional line drawings

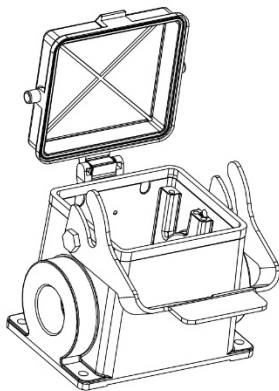
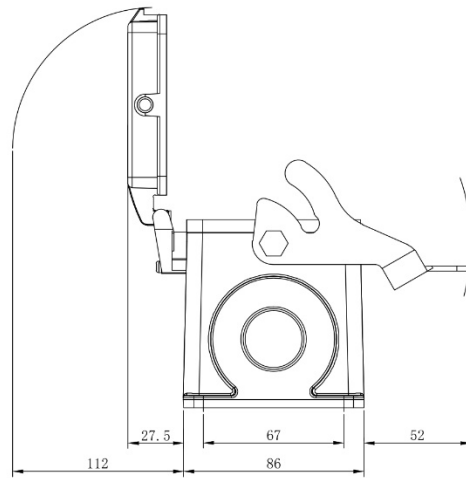
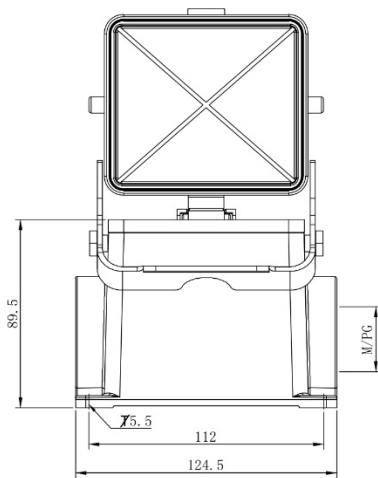
Surface Mount 1 Locking Lever Single Cable Opening with Plastic Cover

M32 = 208-4177

M40 = 208-4178

PG29 = 208-4179

PG36 = 208-4180



- Technical specification:
- Material: Aluminium die-cast
 - Material, cover: PC
 - Surface: powder-coated
 - Colour: (grey)
 - Temperature range:
 - 40°C - +125°C
 - Degree of Protection: IP65
(acc.to IEC 60529 for coupled connector)
 - Locking element:
 - locking type: single locking latch
 - material: metal galvanized/nickel plating
 - Cable entry: side entry
 - No. of cable entries: 1
 - Thread size: M/PG
 - Hoods/Housings sealing: NBR

Dimensional line drawings

Surface Mount 2 Locking Levers 2 Cable Openings

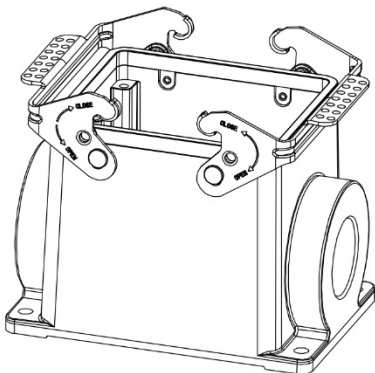
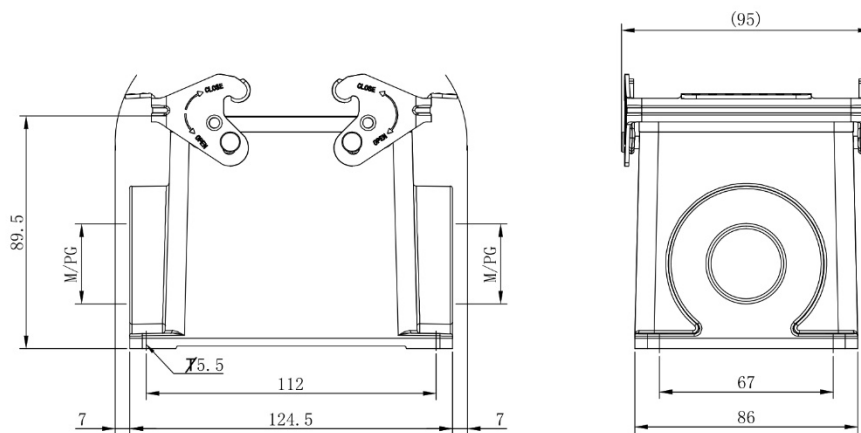
2xM32 = 208-4185

2xM40 = 208-4186

2xPG29 = 208-4187

2xPG36 = 208-4188

2xPG42 = 208-4190



Technical specification:

- Material: Aluminium die-cast
- Surface: powder-coated
- Colour: (grey)
- Temperature range:
 - 40°C - +125°C
- Degree of Protection: IP65
(acc.to IEC 60529 for coupled connector)
- Locking element:
 - locking type: double locking latch
 - material: metal galvanized/nickel plating
- Cable entry: side entry
- No. of cable entries: 2
- Thread size: M/PG
- Hoods/Housings sealing: NBR

Dimensional line drawings

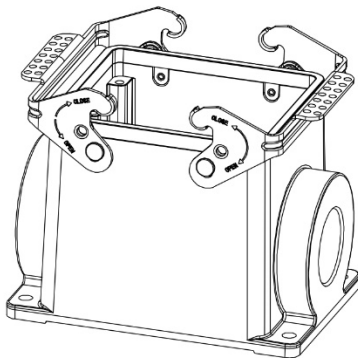
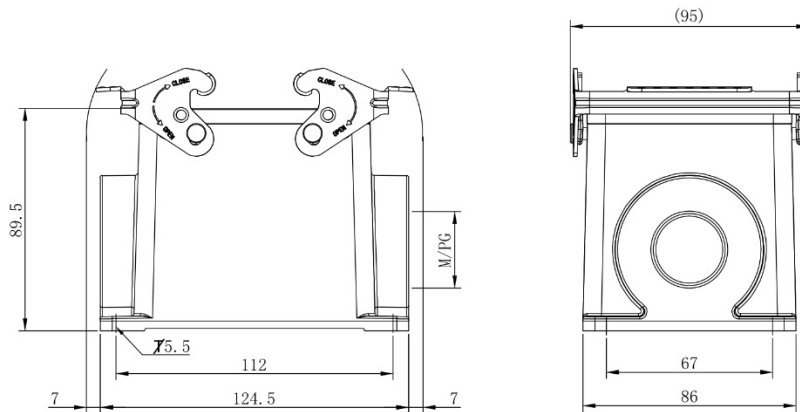
Surface Mount 2 Locking Levers Single Cable Opening

M32 = 208-4191

M40 = 208-4192

PG29 = 208-4193

PG36 = 208-4194



Technical specification:

- Material: Aluminium die-cast
- Surface: powder-coated
- Colour: (grey)
- Temperature range:
 - 40°C - +125°C
- Degree of Protection: IP65
(acc.to IEC 60529 for coupled connector)
- Locking element:
 - locking type: double locking latch
 - material: metal galvanized/nickel plating
- Cable entry: side entry
- No. of cable entries: 1
- Thread size: M/PG
- Hoods/Housings sealing: NBR

Dimensional line drawings

Top Entry Hood 2 Locking Points

M32 = 208-4196

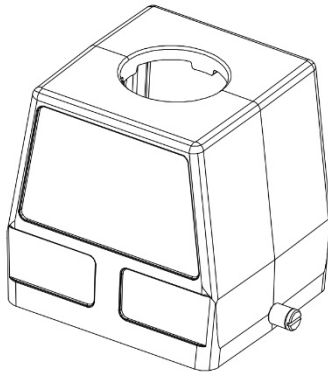
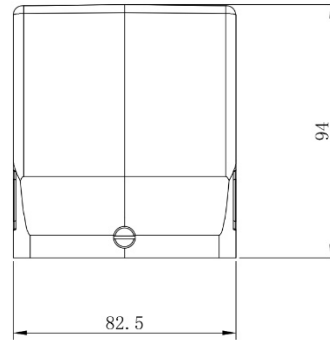
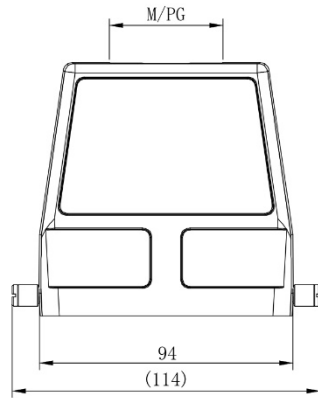
M40 = 208-4197

M50 = 208-4198

PG29 = 208-4199

PG36 = 208-4200

PG42 = 208-4201



- Technical specification:
- Material: Aluminium die-cast
 - Surface: powder-coated
 - Colour: (grey)
 - Temperature range:
-40°C - +125°C
 - Degree of Protection: IP65
(acc.to IEC 60529 for coupled connector)
 - Cable entry: top entry
 - No. of cable entries: 1
 - Thread size: M/PG

Dimensional line drawings

Top Entry Hood 4 Locking Points

M32 = 208-4203

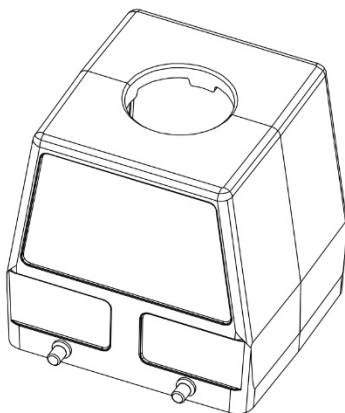
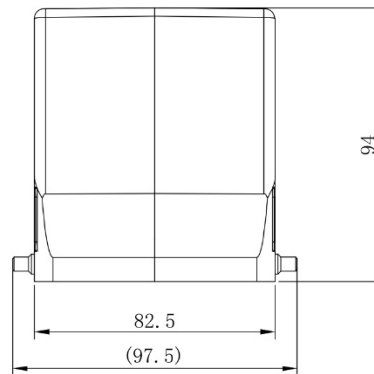
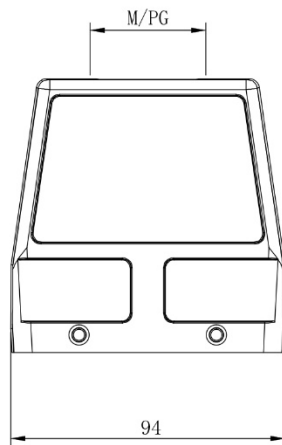
M40 = 208-4204

M50 = 208-4205

PG29 = 208-4206

PG36 = 208-4207

PG42 = 208-4208



Technical specification:

- Material: Aluminium die-cast
- Surface: powder-coated
- Colour: (grey)
- Temperature range:
 - 40°C - +125°C
- Degree of Protection: IP65
(acc.to IEC 60529 for coupled connector)
- Cable entry: top entry
- No. of cable entries: 1
- Thread size: M/PG