



**UbiBot WS1 WIFI
Temperature Humidity Light Vibration
Data Logger IoT System**



Model: UBIWS1
Manufacture warranty: 12 months
Country of Origin: China

Descriptions

The UbiBot WS1 is an advanced all-in-one IoT sensor built with industrial grade components. The WS1 measures temperature, humidity, ambient light, vibration. The WS1 allows you to wirelessly monitor your environment in real-time and gives you remote access to your data wherever you are in the world. All the data is automatically synchronised to our big data platform via WiFi.

Switch the temp unit °F/°C and user calibration is available. The device can store over 300,000 records in its internal memory, which can protect your data against network failure. Even if the network fails, the UbiBot WS1 still stores readings, thus ensuring there are no gaps in the data history.

External Probe Selection (Optional):

UbiBot WS1 supports one external DS18B20 temperature probe. Temperature range (-55 to 125 °C) with 3 or 5 meters round cable.

We recommend to buy Micro USB Splitter Cable Adapter (One Male to Two Female) if you want to use external USB power-supply and two external probes at the same time.

TEMPERATURE
HUMIDITY LIGHT VIBRATION

- 24/7 MONITORING
- WIFI DATA SYNC
- LONG BATTERY LIFE
- OPEN API

FREE EMAIL/APP ALERTS



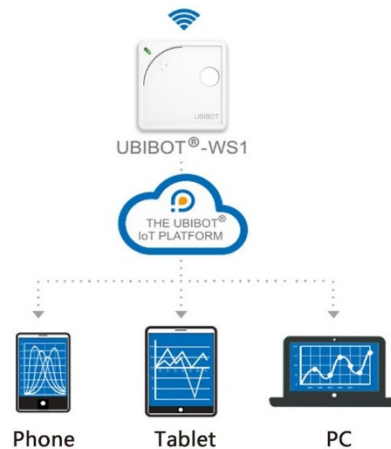


Features

- Extra-low power consumption
- Free App & email alerts
- Large on-device data storage
- Long term history tracking
- Cloud-based IoT platform
- Quick setup within 3 minutes
- Visualisation via our App or web
- Portable and compact

Applications

- Online real-time detecting temperature, humidity, light level & vibration index
- Greenhouse
- Museum
- Wine Cellar
- Pharmacy
- Horticulture
- Animal Breeding Warehouse
- Server Room



Specification:

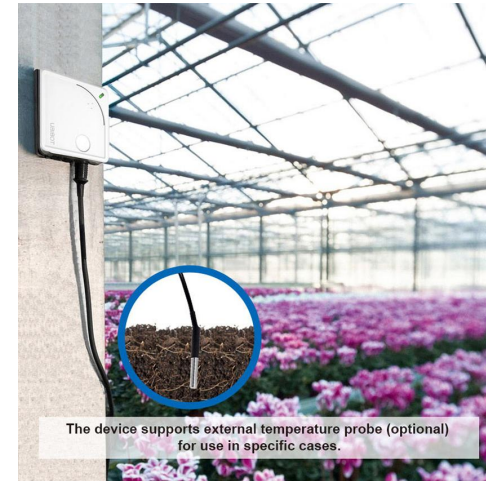
- Temperature Sensor
 - Range: -20°C to 60°C (-4°F to 140°F)
 - Accuracy: $\pm 0.3^{\circ}\text{C}$
- Humidity Sensor
 - Range: 0% to 100%
 - Accuracy: $\pm 3\% \text{RH}$
- Ambient Light Sensor
 - Range: 0 to 83,000 lux
 - Accuracy: $\pm 2\%$
- Vibration Index Sensor
 - Range: -16 to 16g
 - Accuracy: 4mg
- External Temperature Sensor (Optional)
 - Range: -55°C to 125°C (-67°F to 257°F)
 - Accuracy: $\pm 0.5^{\circ}\text{C}$
- Memory: >300,000 sensor records
- WiFi Specifications: **2.4GHz**, channels 1-13 (**5GHz WiFi NOT supported**)
- Certification: CE, RoHS, FCC certificate
- External Probe: Supports DS18B20 probe (optional extra)
- Colour: White
- Material: Flame resistant ABS+PC
- Power Source: 2 x AA batteries / Micro USB (5V/2A)
- Dimensions: 6.5 x 6.5 x 1.7 cm
- Weight: 31.8g \pm 3g



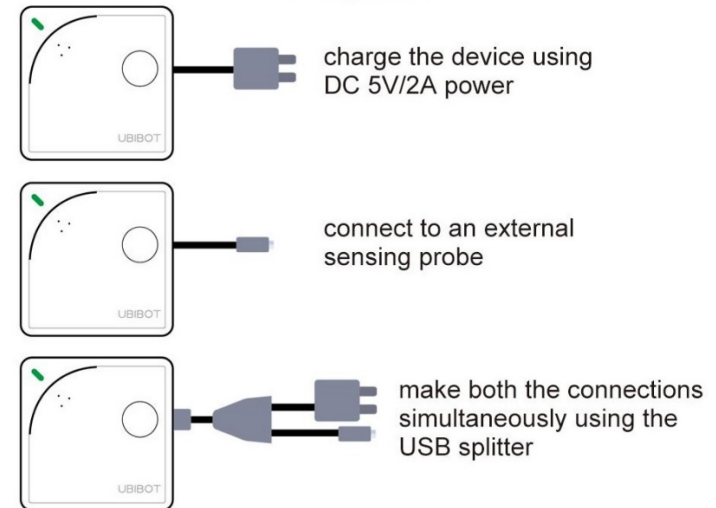
The cloud-based IoT platform offers advanced data analysis and management. It also allows you to setup real-time notifications - if a metric goes outside the range you specify, the platform will notify you through the app, by email or other methods, allowing you to respond promptly before costly damage happens. The IoT platform gives users access to both the real-time data and history via our mobile app or on any browser. We are now working with IFTTT (if this then that), allowing you to build custom link with other smart devices.

The data sync interval can be set by you. This allows you to balance battery life against frequency of data capture. With the default data sync interval of 15 minutes the device has a battery life of up to 4- 6 months using 2 AA alkaline batteries. Power-supply using Micro-USB is supported. You can check the battery voltage of the device remotely and set up rules to be notified when low-battery, network failure or sensor reading exceeds the setting range. Available rule alerts include Email, APP, SMS, Phone Call, HTTP API. Please note, charges may apply to SMS text and voice call alert modes. These two modes cost the balance of the credits in your account.

No subscription is needed. Free 200MB Cloud Storage enough to store data over 2 years on default settings. Export the data to CSV or PDF without extra charge.



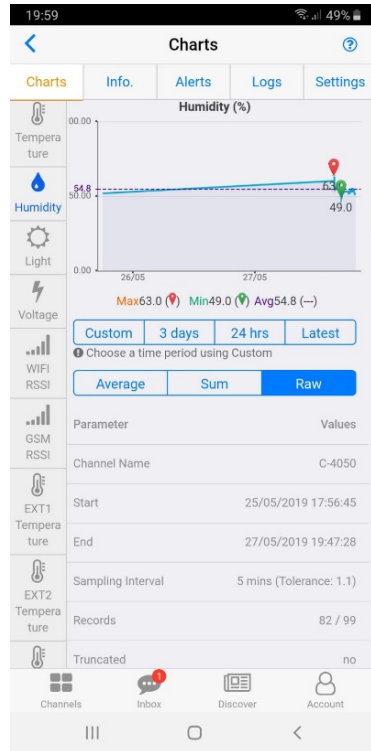
The device comes with one Micro USB port, allowing you to



**The splitter and external probe are optional.*



View through mobile APP



Data download in CSV format

created_at	field1 (Temperature °C)	field2 (Humidity)	field3(Light)	field4(Voltage)
2019-05-27T15:28:08+08:00	25.88121	60	81.639999	5
2019-05-27T15:28:10+08:00	25.894562	60	76.439995	5
2019-05-27T15:28:12+08:00	25.937286	61	76.919998	5
2019-05-27T15:28:14+08:00	25.937286	61	79.5	5
2019-05-27T15:28:15+08:00	25.96666	62	77.799995	5
2019-05-27T15:28:16+08:00	25.96666	62	75.919998	5
2019-05-27T15:28:18+08:00	26.006714	62	76.860001	5
2019-05-27T15:28:19+08:00	26.022736	62	77.720001	5
2019-05-27T15:28:25+08:00	26.121536	63	78.540001	5
2019-05-27T15:28:47+08:00	26.404594	60	97.439995	5
2019-05-27T15:28:51+08:00				
2019-05-27T15:29:47+08:00	26.615547	58	78.939995	
2019-05-27T15:30:47+08:00	26.658272	58	86.559998	
2019-05-27T15:31:47+08:00	26.700996	57	96.839996	
2019-05-27T15:32:47+08:00	26.700996	57	84.479996	
2019-05-27T15:33:47+08:00	26.743721	57	83.279999	



View dashboard through PC

C-4050 23.5 °C 50.0 % 114.1 lx 5.0 V -°C -°C -43.0 dbm [Hide ^](#) [Share](#) [Clear Channel Data](#) [Delete Device](#) [<](#) [>](#)

Owner: gmmtechnoworld	Access: Private	Activated at: 27/05/2019 15:43:27
Channel ID: 4050	Current Package: ubibot_free	Last Entry ID and Date: 27/05/2019 20:02:36 (2 minutes ago) #307
Serial Number: 038X***0WS1P	Used Space : 36.0 kB	Firmware Version: ws1pro_v1.4.5
Product ID: ubibot-ws1p	Monthly Traffic Downloads : 74.0 kB	Network : Wi-Fi: GMM Technoworld

[Private View](#) [Real Time](#) [Rules](#) [Trigger Logs](#) [Settings](#) [API Keys](#) [Pending Commands](#) [Executed Commands](#) [Data Import/Export](#) [Public View](#) [Access Logs](#)

[Add a Data Point](#) Type Begin From [Download](#) [Refresh](#) [Create PDF Report](#) [Display as table](#) [Display as list](#)

Temperature(°C) : 23.5°C

Date	Temperature (°C)
26/05	26.8
27/05	23.5

Humidity(%) : 50.0%

Date	Humidity (%)
26/05	64.0
27/05	49.0