

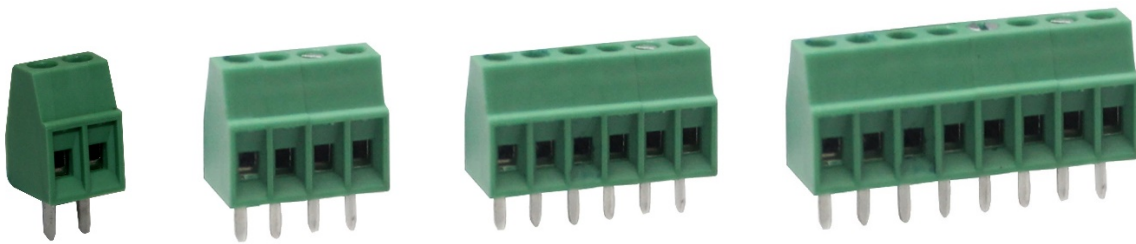


ENGLISH


Datasheet

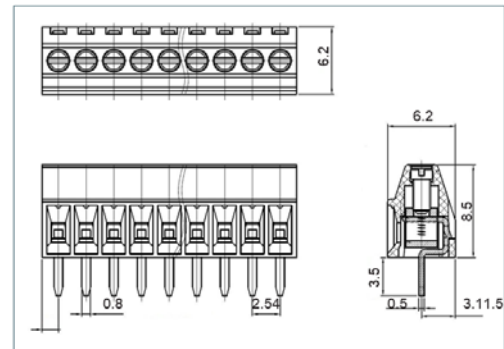
Stock No. 1731206

RS PRO 2.54mm Pitch Rising Clamp Terminal Blocks



Product Details

- 2-12 pole solid block
- Professional rising clamp terminals
- Low profile
- Moulded in green UL94-VO flame retardant PA66
- Cable acceptance - 0.4 to 1mm² (26-18AWG) solid and stranded cable
- Guided pin alignment
- us approved



SPECIFICATION	
Rating	UL=6A/150V, IEC=8A/130V
Insulation resistance	500M Ω /500V
Withstand voltage	AC 1300V/1min
Contact resistance	20m Ω (max)
Working temperature	-40°C to +105°C
Moulding	UL94-VO, flame retardant PA66
Pin/terminal	Brass, tin plated
Rising clamp	Brass, Ni plated
Screw	M1.6 steel, zinc plated/0.1Nm
Recommended PCB hole	1.0mm

RS Stock No.	POLE	LENGTH
1731206/1731625	2	5.54mm
1731205/1731624	3	8.08mm
1731204/1731623	4	10.62mm
1731210/1731630	5	13.16mm
1731209/1731629	6	15.70mm
1731208/1731628	7	18.24mm
1731207/1731627	8	20.78mm
1731617/1731198	10	25.86mm