



Datasheet

RS PRO 1mtr USB 3.1 Type C Male to USB 3.1 Type C Male Cable – 5 Pack

Stock number: 2513297

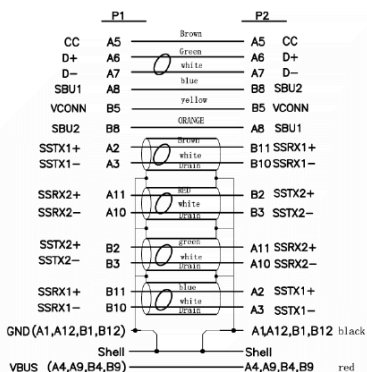
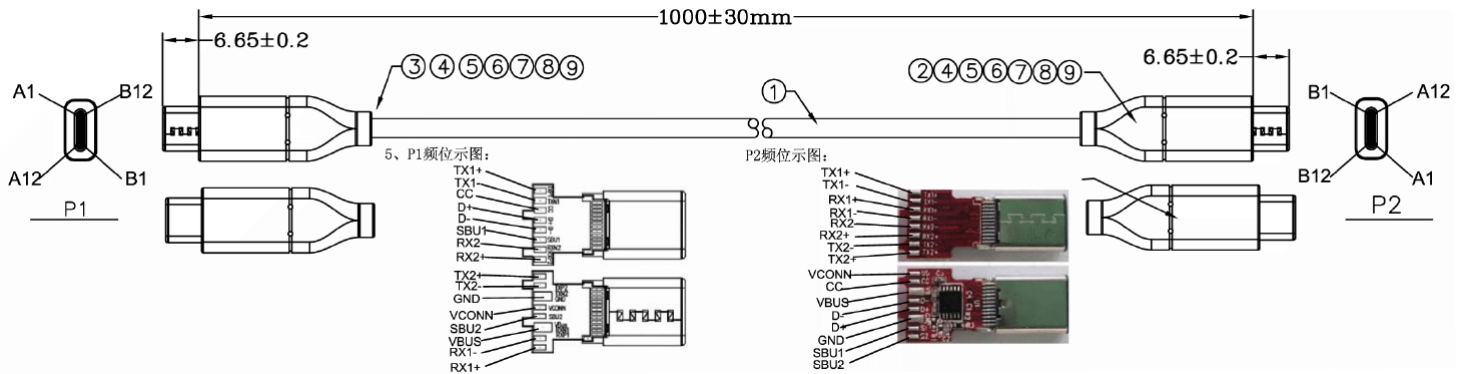
EN

The RS PRO 1 metre USB version 3.1 type C male to type C male cable has a black PVC jacket and connector hoods. The cable flex has copper wire conductors and drain wire, with an aluminium braid, foil shielding and has an outer diameter of 4.5mm.

The connectors are nickel and have a strain relief to help avoid the cable splitting around the edge of the boot.

USB 3.1 supports Alternative Mode commonly known as Alt Mode which allows a 4K digital signal native to DisplayPort, which with the help of other adapters can be convert to other video signal, but the port it is connected must also support Alt Mode.

USB 3.1 also supports 20 volt, 3 Amp power delivery.



⑨	USB TYPE C~SOLDER TYPE~ Tin Plating Nickel up ~ (No riveting claw)
⑧	USB TYPE C~SOLDER TYPE~ Tin Plating Nickel Down~ (No riveting claw)
⑦	USB TYPE-C cable Small clamp (use TYPE-C) texture: NY-66+15%GF, 24+32+34AWG
⑥	H.S.T # 2.0 Thin wall
⑤	TRANSPARENT PE ROHS LDPE
④	45P Black PVC ROHS
③	USB 3.1 C Type Connector With ~PCBA(NO IC) ,full PIN
②	USB 3.1 C Type Connector With ~PCBA, with IC (IC:VIA) full PIN
①	USB3.1 [34AWG (7/0.06TC)+EAM]*4P+32AWG (7/0.08TC)*1P+24AWG (7/0.205TC)*2C+32AWG (7/0.08TC)*4C+AB (16/10/0.08 90%TC)OD:4.5MM"BLACK"NO MARKING

RoHS / REACH / CE/UKCA

