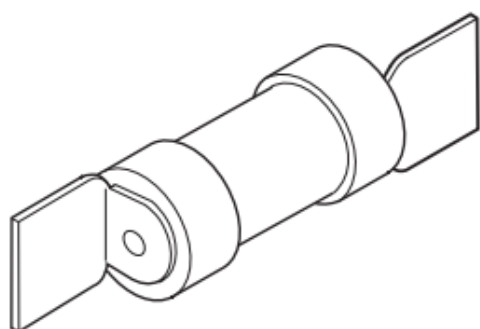


## Datasheet

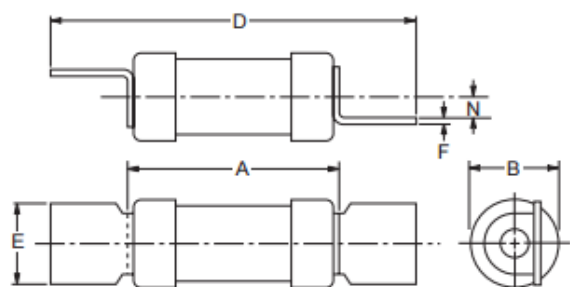
# RS 40A F2 British Standard Fuse, 415 V ac HRC

RS Stock number [521-2961](#)

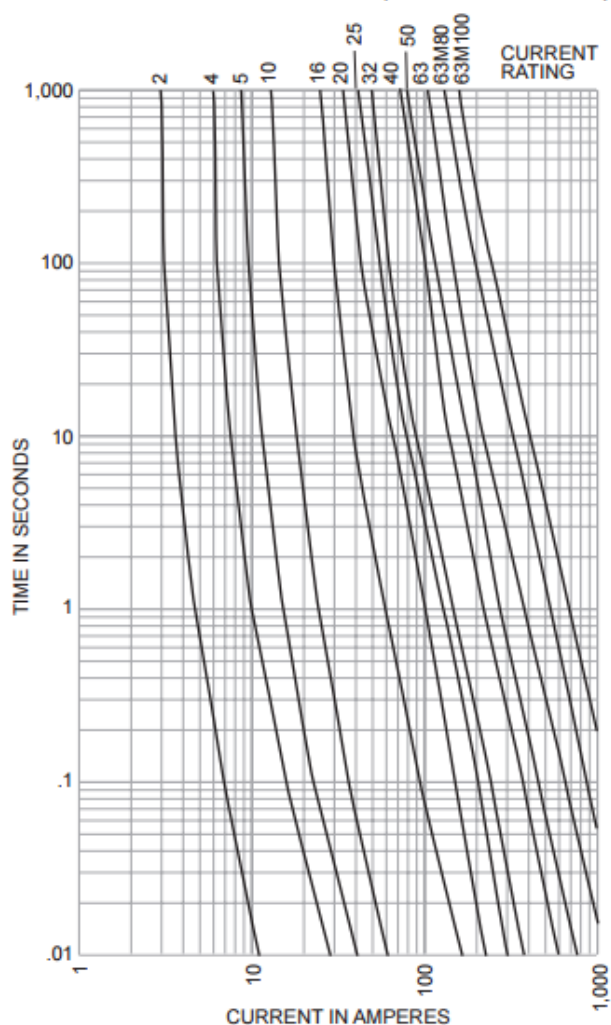


**CATALOG SYMBOL:** ESD  
**INDUSTRIAL HRC FUSE**  
**OFFSET BLADE TAGS**  
**PACKAGE QUANTITY:** 20  
**80kA INTERRUPTING RATING**  
**MOUNTS IN CAMLOCK OR SAFELOC SERIES HOLDERS**

### Dimensional Data:



Time-Current Characteristic Curve (Full Size Curves Available)



## Specifications

Breaking capacity: 80KA at 415Vac , 40KA, 250Vdc (bottled connection types) (E! type 16.5kA at 240Vac)

Rated at:415Vac/25Vdc (bolted connection types) (E1 type 240Vac)

ASTA 20 certified