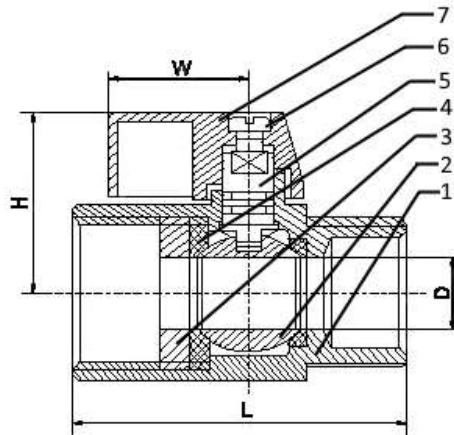


## SS316 M x F Mini Ball Valves

### Features

- Reduced Port Design
- Solid Ball Design
- Quarter Turn Operation
- Sizes: 1/8" – 1" (DN6 - DN25)
- Working Pressure: 1000 PSI
- Threaded End: BSPP, NPT
- Applicable Medium: General oil, Gas & Water Applications
- Blow-out Proof Stem Design



### Material List

No.	Part Name	Material
1	Body	SS316, CF8M
2	Ball	SS316
3	Cap	SS316
4	Ball Seat	PTFE
5	Stem	SS304
6	Bolt	SS304
7	Lever	Aluminium

**Ordering Information**

VL - S - BMF - G - 1000 - 08  
 I II III IV V VI

**I Type of Item**  
 VL Low Pressure Valves

**II Material Grade**  
 S SS316, CF8M CI Cast Iron  
 FS Forged Steel CS Cast Steel  
 B Brass

**III Item**  
 GA Gate Valve B1 1 PC Ball Valve  
 GL Globe Valve B2 2 PC Ball Valve  
 YS Y-Strainer B3 3 PC Ball Valve  
 SC Swing Check Valve BL 3 Way Ball Valve L Port  
 VC Vertical Check Valve BT 3 Way Ball Valve T Port  
 WC Wafer Check Valve BMF Male x Female Mini Ball Valve  
 DD Dual Disk BU Butterfly Valve

**IV Connection Type**  
 SW S/W G BSPP  
 BW B/W N NPT  
 R BSPT F Flange End  
 W Wafer L Lug

**V Pressure**  
 200 200 PSI 2000 2000 PSI  
 300 300 PSI 150 ANSI 150# Flange Standard  
 600 600 PSI 10K JIS 10K Flange Standard  
 800 800 PSI PN16 PN 16 Flange Standard  
 1000 1000 PSI

**For Inch OD & Inch NB Sizes**

**VI Size**

Size	1/8"	1/4"	5/16"	3/8"	1/2"	5/8"	3/4"	1"
Code	02	04	05	06	08	10	12	16
Size	1 1/4"	1 1/2"	2"	2 1/2"	3"	4"	5"	6"
Code	20	24	32	40	48	64	80	96

**VII Coating**  
 (None) No Additional Coating  
 NI Nickel Plating

**Dimension List**

<b>NPS</b>	<b>Connection</b>	<b>Impa Code</b>	<b>Part No</b>	<b>D</b>	<b>H</b>	<b>W</b>	<b>L</b>	<b>Weight (Kg)</b>
1/8"	BSPP	-	VL-S-BMF-G-1000-02	7	26.5	22.9	40	0.081
1/4"	BSPP	-	VL-S-BMF-G-1000-04	7	26.5	22.9	40	0.081
3/8"	BSPP	-	VL-S-BMF-G-1000-06	7	26.5	22.9	40	0.084
1/2"	BSPP	-	VL-S-BMF-G-1000-08	9.2	29.3	22.9	46	0.105
3/4"	BSPP	-	VL-S-BMF-G-1000-12	12.5	31.5	22.9	54	0.105
1"	BSPP	-	VL-S-BMF-G-1000-16	15	34	22.9	65	0.284
1/8"	NPT	-	VL-S-BMF-N-1000-02	7	26.5	22.9	40	0.081
1/4"	NPT	-	VL-S-BMF-N-1000-04	7	26.5	22.9	40	0.081
3/8"	NPT	-	VL-S-BMF-N-1000-06	7	26.5	22.9	40	0.084
1/2"	NPT	-	VL-S-BMF-N-1000-08	9.2	29.3	22.9	46	0.105
3/4"	NPT	-	VL-S-BMF-N-1000-12	12.5	31.5	22.9	54	0.105
1"	NPT	-	VL-S-BMF-N-1000-16	15	34	22.9	65	0.284

**Part Number Reference**

<b>Impa Code</b>	<b>Part No</b>	<b>Description</b>
-	VL-S-BMF-G-1000-02	1/8"BSPP SS316 M x F MINI BALL VALVE 1000 PSI, MALE x FEMALE, SOLID BALL
-	VL-S-BMF-G-1000-04	1/4"BSPP SS316 M x F MINI BALL VALVE 1000 PSI, MALE x FEMALE, SOLID BALL
-	VL-S-BMF-G-1000-06	3/8"BSPP SS316 M x F MINI BALL VALVE 1000 PSI, MALE x FEMALE, SOLID BALL
-	VL-S-BMF-G-1000-08	1/2"BSPP SS316 M x F MINI BALL VALVE 1000 PSI, MALE x FEMALE, SOLID BALL
-	VL-S-BMF-G-1000-12	3/4"BSPP SS316 M x F MINI BALL VALVE 1000 PSI, MALE x FEMALE, SOLID BALL
-	VL-S-BMF-G-1000-16	1"BSPP SS316 M x F MINI BALL VALVE 1000 PSI, MALE x FEMALE, SOLID BALL
-	VL-S-BMF-N-1000-02	1/8"NPT SS316 M x F MINI BALL VALVE 1000 PSI, MALE x FEMALE, SOLID BALL
-	VL-S-BMF-N-1000-04	1/4"NPT SS316 M x F MINI BALL VALVE 1000 PSI, MALE x FEMALE, SOLID BALL
-	VL-S-BMF-N-1000-06	3/8"NPT SS316 M x F MINI BALL VALVE 1000 PSI, MALE x FEMALE, SOLID BALL
-	VL-S-BMF-N-1000-08	1/2"NPT SS316 M x F MINI BALL VALVE 1000 PSI, MALE x FEMALE, SOLID BALL
-	VL-S-BMF-N-1000-12	3/4"NPT SS316 M x F MINI BALL VALVE 1000 PSI, MALE x FEMALE, SOLID BALL