

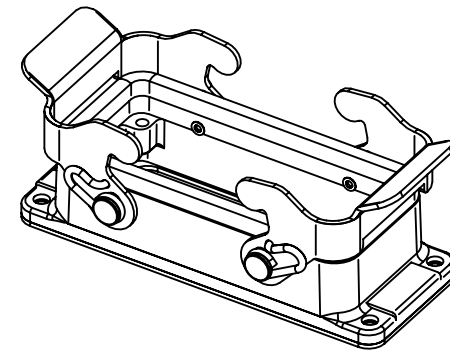
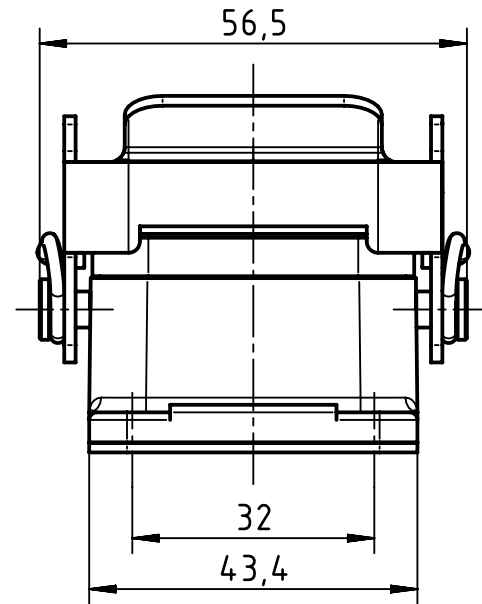
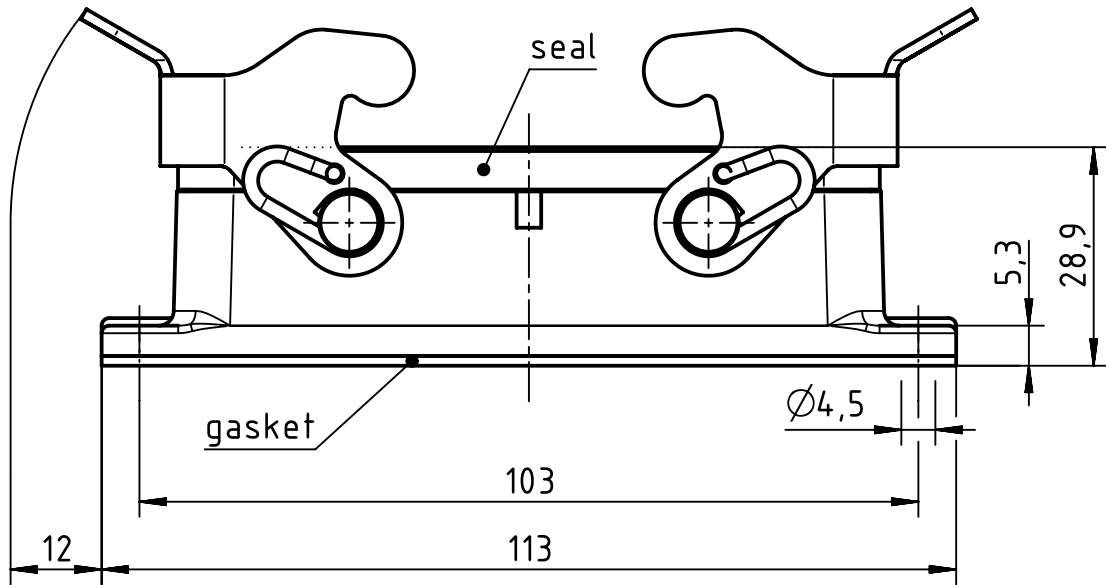
1 2 3 4 5 6

A

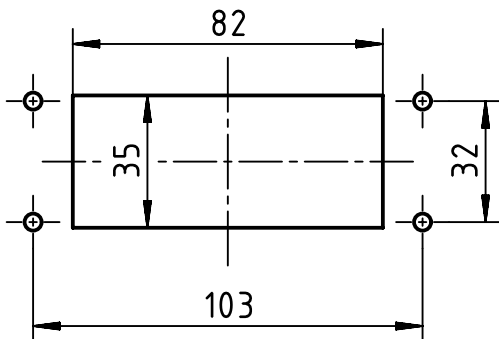
B

C

D



Panel cut out (1:2)



	FREE SIZE TOL:			TITLE		REV.
				RS Pro 16B bulkhead mounted housingg-ML		A
	DRAWN BY	Limei.L	2018.3.21	SIZE	PART NUMBER	SHEET
	CHECKED BY	Andy.Y	2018.3.21	A4	1715710	1 OF 1
APPROVED. BY	Steven.W	2018.3.21	SCALE 1:1	MATERIAL:	UNIT: mm	