

Datasheet

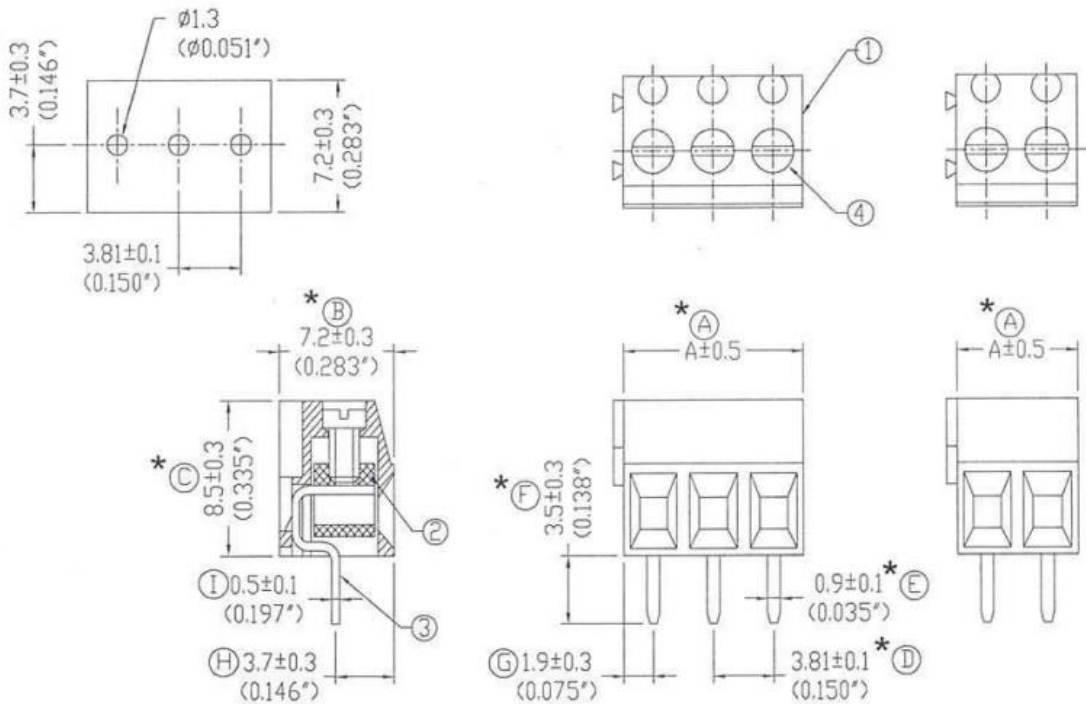
12 way 3.81mm PCB terminal block

RS Stock number 790-0957



Dimensions: (mm)

PCB Layout





Specifications

- Current Rating: 8Amp AC300V
- Insulation withstands volts: AC2000V min
- Insulation resistance: > 2000 M Ω DC500V
- Operation Temperature: -40°C to +105°C
- Wire Strip Length: 4mm~ 5mm
- Wire Range: 16~26 AWG
- Screw Torque: 3.0 lb-inch

Material

- Insulating Body: Polyamide 66 (UL94V-0)
- Cage Clamp: Brass
- Terminal: Brass
- Screw: Steel

Finish

- Cage Clamp: Ni Plated
- Terminal: Tin Plated
- Screw: Ni Plated

- RoHS Compliant

Pitch : 3.81mm(0.150inch)

Poles	A(mm)	A(inch)	Poles	A(mm)	A(inch)
2	7.62	0.300	15	57.15	2.250
3	11.43	0.450	16	60.96	2.400
4	15.24	0.600	17	64.77	2.550
5	19.05	0.750	18	68.58	2.700
6	22.86	0.900	19	72.39	2.850
7	26.67	1.050	20	76.20	3.000
8	30.48	1.200	21	80.01	3.150
9	34.29	1.350	22	83.82	3.300
10	38.10	1.500	23	87.63	3.450
11	41.91	1.650	24	91.44	3.600
12	45.72	1.800	25	95.25	3.750
13	49.53	1.950			
14	53.34	2.100			