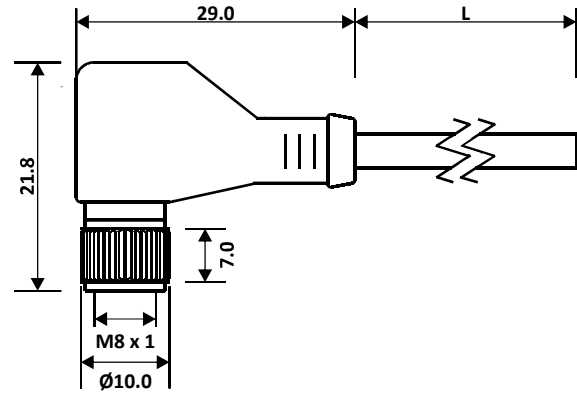




Datasheet
Stock No. 1863123
RS PRO Connector Assembly



ENGLISH



All dimensions are in mm.

General Specification

Rated Operational Voltage	30 V
Current Rating	4A
Insulation Resistance	$\geq 100 \text{ M}\Omega$
Temperature Range	-25°C ... +75°C
Degree of Protection	IP67

Material Specification

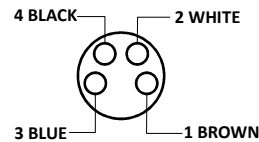
Grip Material	PU
Contact	Cu-Zn
Contact Plating	Gold Plated
Contact Carrier	Nylon 66
Grip Colour	Black
Coupling Nut	Brass Nickel-Plated

Cable Specification

Cable Length-L	5 m
Cable Type	4 Core PVC Multi Strand
Sheath Colour	Black
Cross Section of Wire	0.25 sq. mm
Core Dia	1.25 mm
Cable Dia	$4.8 \pm 0.1 \text{ mm}$
Termination	Partially Stripped

Specifications are subject to change without notice.

Pin Assignment



Type Approved
Safety
Regular Production
Surveillance



www.tuv.com
ID 1111210482

