



Datasheet

RS PRO Fast Foot 2.9 to 3.7mm

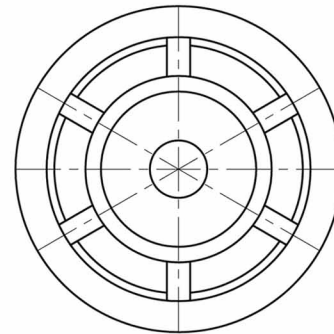
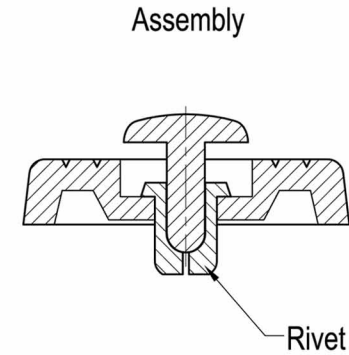
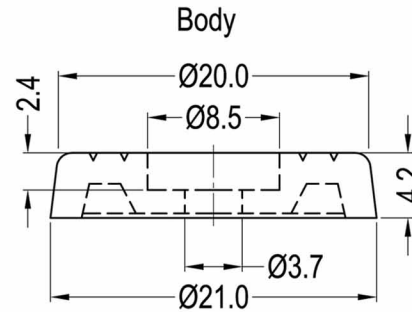
Stock number: 1720867

EN



DIMENSIONS	TOLERANCE
<4mm	±0.15
4mm~15mm	±0.20
15mm~30mm	±0.30
30mm~50mm	±0.50
50mm~100mm	±1.00

REVISIONS			
REV	DESCRIPTION	DATE	BY
01	NEW DRAWING	2016-7-16	Jack Xu



NOTES:

1.MATERIAL: TPV UL94 HB(Body)
PA6 UL94 V2(Rivet)

2.Hole:Ø4.1~4.2mm

Panel Thickness:2.9~3.7mm

Mounting Rivet R4070B

Unit:mm

SCALE	2:1	PART NAME	Soft Fast Foot
COLOR	BLACK	PART NO.	1720867
DRAWN	ALEX	MATERIAL	SEE NOTES
CHECK	JACK	DRAWING NO.	KS180701-3
APPROVED	FRED	DRAWING DATE	2016-7-16