

**RoHS
Compliant**



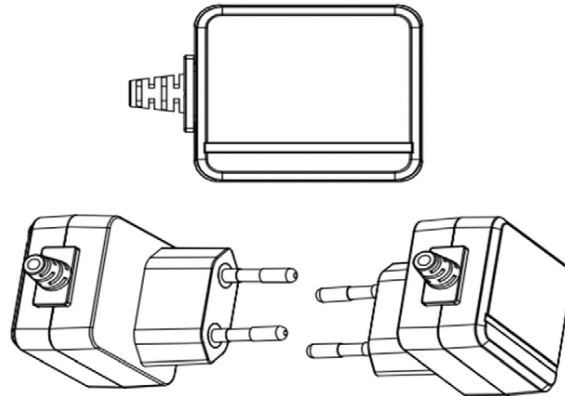
Features

- Euro Plug Top
- DOE Level VI Efficiency
- Overcurrent Protection
- Short Circuit Protection
- 1 Year Warranty
- DC Cable Length: 1500mm

Specification

Models		MP009251	MP009253	MP009255	MP009257
Output	DC Voltage	5V DC	9V DC	12V DC	24V DC
	Rated Current	1amp	0.6amp	0.5amp	0.25amp
	Current Range	0-1amp	0-0.6amp	0-0.5amp	0-0.25amp
	Rated Power	6 Watt			
	Ripple & Noise	200mVp-p max			
	Output Regulation	±5%			
	Output Connector	2.1 × 5.5 × 12mm C+ve			
Input	Voltage Range	90V AC to 264V AC			
	Frequency Range	47Hz to 63Hz			
	Input Current	1.2amp Max			
	Inrush Current	40amp Max			
	Standby Power	0.1W Max			
	Leakage Current	0.25amp Max			
	Input Connector	Euro			
Environment	Operating Temp	0°C to 40°C			
	Cooling	Convection			
	Temperature Coefficient	0.05%/°C			
	Humidity	5~95%RH(non-condensing)			
	Storage Temp	-20°C to +80°C			
Safety & EMC	Safety Standards	CE EN62368-1			
	EMC Emissions	EN55032, EN55035, EN61000-3-2 2014, EN61000-3-3 2013			

Mechanical Specification



Dimensions : Millimetres

Part Number Table

Description	Part Number
6W EU Wall Plug Adapter, 5VDC, 1.0A Out	MP009251
6W EU Wall Plug Adapter, 9VDC, 0.6A Out	MP009253
6W EU Wall Plug Adapter, 12VDC, 0.5A Out	MP009255
6W EU Wall Plug Adapter, 24VDC, 0.25A Out	MP009257

Important Notice : This data sheet and its contents (the "Information") belong to the members of the AVNET group of companies (the "Group") or are licensed to it. No licence is granted for the use of it other than for information purposes in connection with the products to which it relates. No licence of any intellectual property rights is granted. The Information is subject to change without notice and replaces all data sheets previously supplied. The Information supplied is believed to be accurate but the Group assumes no responsibility for its accuracy or completeness, any error in or omission from it or for any use made of it. Users of this data sheet should check for themselves the Information and the suitability of the products for their purpose and not make any assumptions based on information included or omitted. Liability for loss or damage resulting from any reliance on the Information or use of it (including liability resulting from negligence or where the Group was aware of the possibility of such loss or damage arising) is excluded. This will not operate to limit or restrict the Group's liability for death or personal injury resulting from its negligence. Multicomp Pro is the registered trademark of Premier Farnell Limited 2019.