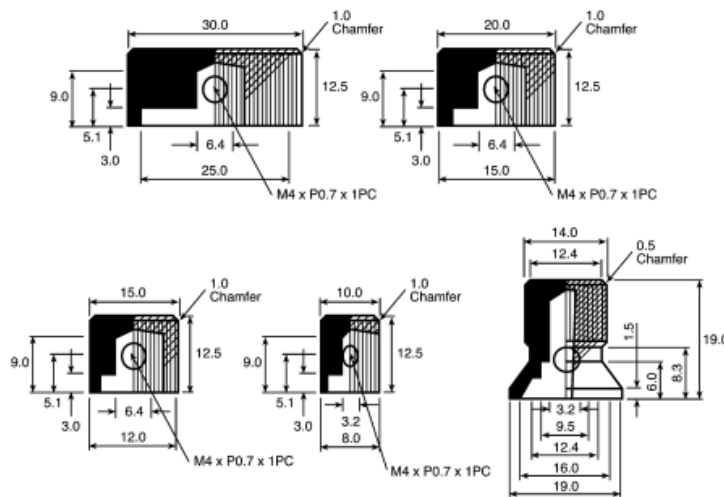


Datasheet

SPDT Roller Lever Microswitch, 4 A@ 28 V dc, 7 A@ 250 V ac

RS Stock number [465-9820](#)

Dimensions: (mm)



Specifications

- Body Colour :Black
- Indicator Colour: White
- Knob Diameter: 10mm
- Knob Height :12.5mm
- Knob Type: Push On Knob
- Material: Aluminium
- Shaft Size: 3.2mm