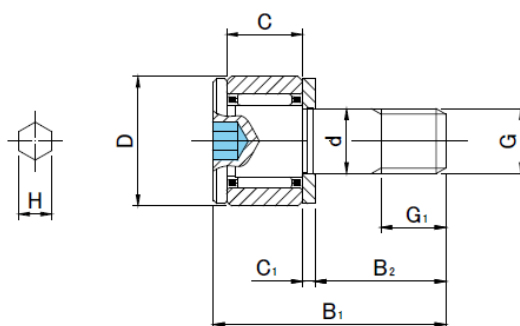


Datasheet

Stock No: 2346915

RS PRO Miniature Thrust Cam Follower, Cylindrical Outer, Steel



Miniature Thrust Cam Follower, Cylindrical Outer, Steel

Specifications:

Basic dimensions

| | |
|---------------------|----------|
| Outer diameter [D] | 10 mm |
| Outer width [C] | 6 mm |
| Stud diameter [d] | 5 mm |
| Thread size [G] | M5 X 0.8 |
| Overall length [B1] | 18 mm |

Physical properties

| | |
|--------------------------|--------|
| Load rating dynamic [Cr] | 1570 n |
| Load rating static [C0r] | 1860 n |

Other data

| | |
|--------|-----------|
| Weight | 0.0070 kg |
|--------|-----------|