

FEATURES

- Angles ball joints made from steel
- Various threads for screwing on gas struts
- Made to DIN71802 with zinc passivated finish
- Induction hardened balls are wear resistant
- Security clips retain ball studs in sockets
- Static pull values for radial and axial loads
- Supplied with locknut

RS PRO Steel M8 Ball and Socket Joint, 39.5mm x 38mm

RS Stock No.: 689-417



RS Professionally Approved Products bring to you professional quality parts across all product categories. Our product range has been tested by engineers and provides a comparable quality to the leading brands without paying a premium price.

Product Description

RS PRO range of steel ball and socket joints are a type of end fitting accessory for gas springs which are also referred to as gas struts. Gas spring accessories like these RS PRO ball and socket joints end fittings are important for the service life of gas springs and gas struts and come in a range of sizes.

Options include:

689-394 - Ball and socket joint M5

689-401 - Ball and socket joint M6

689-417 - Ball and socket joint M8

689-423 - Ball and socket joint M10

General Specifications

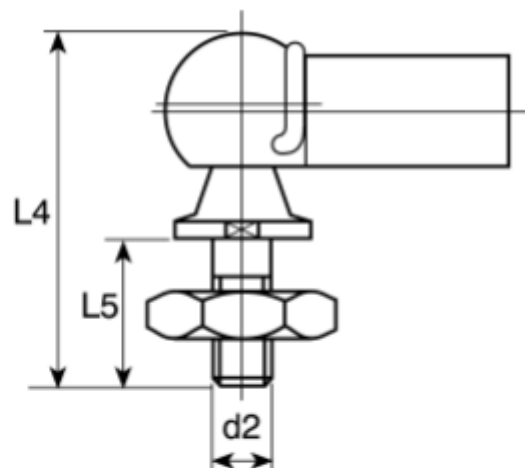
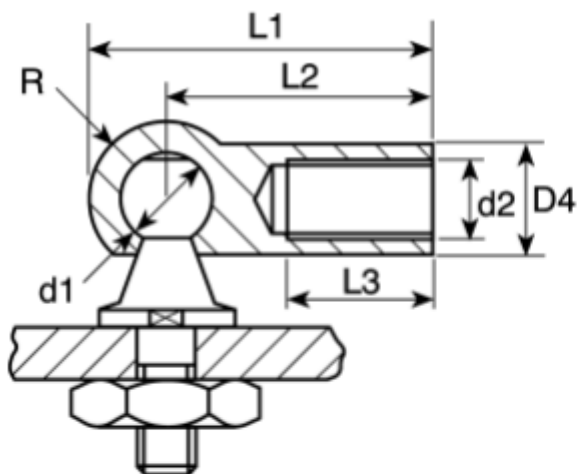
Accessory Type	Ball & Socket Joint
Rod Connection Thread	M5
Material	Steel
Finish	Zinc passivated

Mechanical Specifications

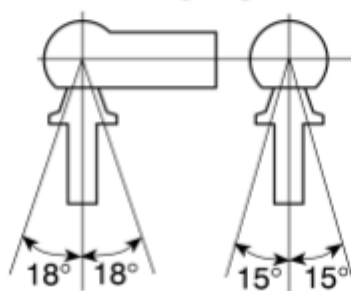
Overall Length	39.5mm
Overall Width	38mm
Ball Diameter	13mm

Approvals

Compliance/Certifications	RoHS, DIN
----------------------------------	-----------



Working angles



Specifications:

Dimensions (mm)											
Size mm	D1	D2	D4	L1	L2	L3	L4	L5	R	A/F	min.pull-off force in N
5	8	M5	8	28.5	22	10.5	25	10.2	10.2	6.4	30
6	10	M6	10	32.5	25	11.5	30	12.5	7.5	8	40
8	13	M8	13	39.5	30	14.0	38	16.5	9.7	11	60
10	16	M10	16	47.0	35	15.5	47.5	20.0	12.0	13	80