



ENGLISH

Datasheet

24Vdc Panel Mount 95db Piezo Buzzer

RS Stock number [457-027](#)

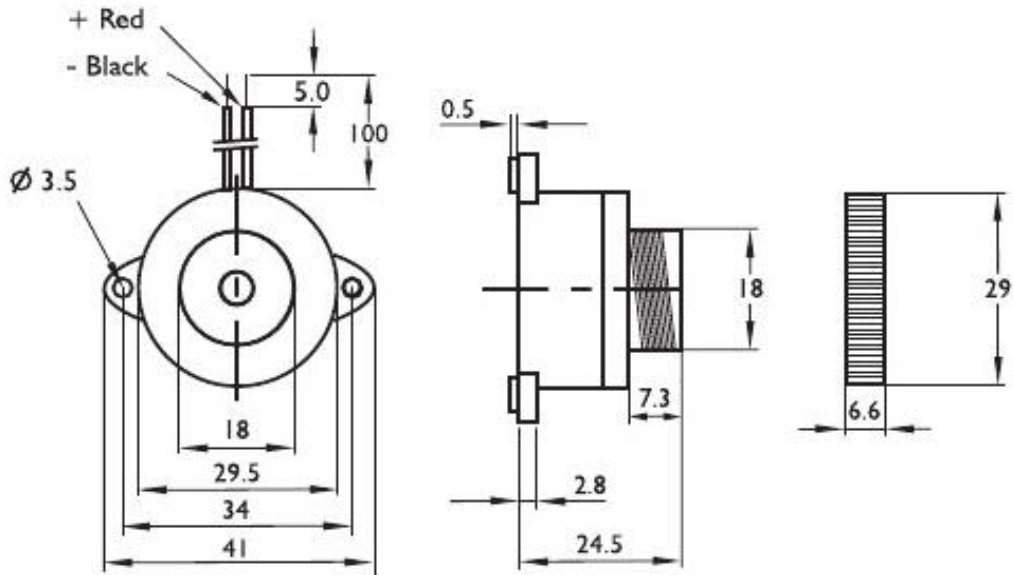


Specifications:

Rated voltage:	24VDC
Operating voltage:	1.5-28VDC
Rated current:*	≤20mA
Sound output at 30cm:*	≥95dB
Resonant frequency:	3500±500Hz
Tone:	Continuous
Operating temperature:	-20°C to +60°C
Storage temperature:	-20°C to +70°C
Weight:	15g
Drive Type:	Internal
Leads:	Flying lead connections

*Value applying at rated voltage (DC)

Dimensions:



Dimensions Unit: mm

Tolerance: ±0.5mm