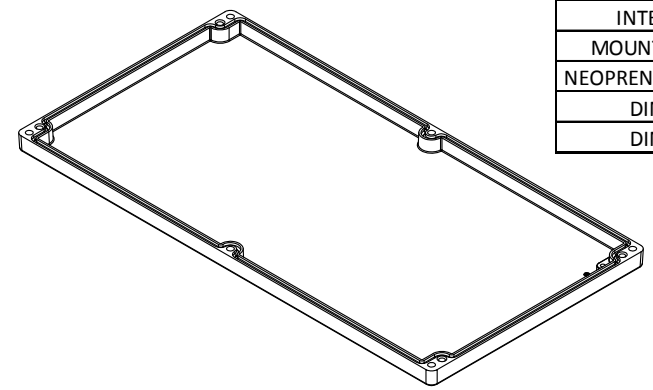
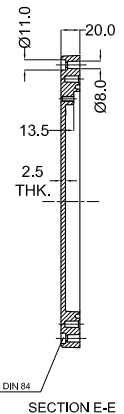
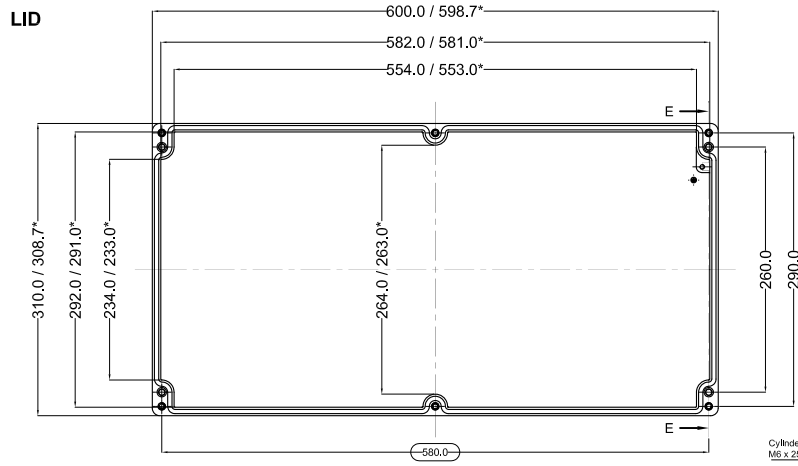
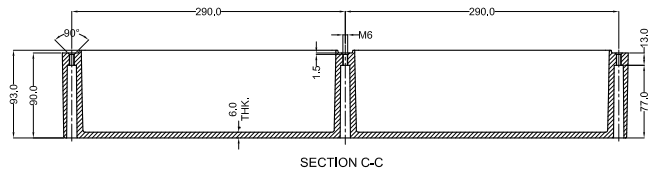


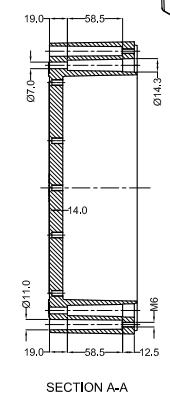
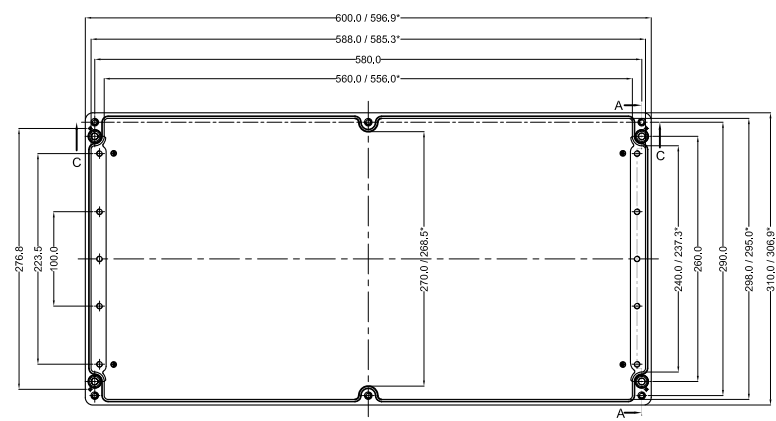
\* = Conical form tapering downward.  
 Untoleranced dimensions per GTA 13/5 DIN 1688



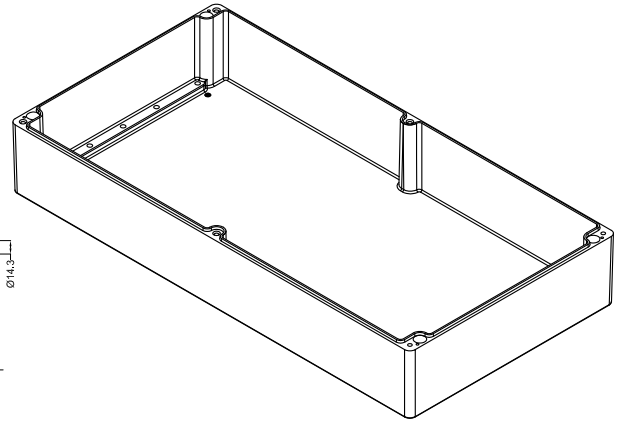
OPTIONAL ACCESSORIES		
PART NAME	QTY.	AVAILABILITY
MOUNTING PLATE	1	Y
EXTERNAL HINGE	2	Y
INTERNAL HINGE	2	Y
MOUNTING BRACKETS	4	Y
NEOPRENE/SILICON GASKET	1	Y
DIN RAIL TS15	-	N
DIN RAIL TS35	1	Y



SECTION C-C



SECTION A-A



BASE

QUANTITY	MATERIAL :-	MACH.NAME	DATE	SIGN	NAME	
-	<b>Alsi 12</b>	-	15/01/14		<b>RRPL DESIGN</b>	
	<b>Din230</b>		15/01/14		<b>MANOJ DRAWN</b>	
		TITLE :-	15/01/14		<b>PAVAN CHECKED</b>	
		JUNCTION BOX	15/01/14		<b>S . D . APPROVED</b>	
		600 x 310 x 110				
TOLERANCE			SCALE			
±0.2	DIMENSIONS					
±0.2	HOLES					
±1.0°	ANGLES					
WEIGHT: FINISH: NATURAL		ALL DIMENSION ARE IN MM				
		Rd - 33				