

RoHS
Compliant



Features

- 500V DC automotive fuse
- Rated Current: 10A to 50A
- Max. BC: 20kA @ 500V DC
Min. BC: 2In @ 500V DC
- Time Constant: 2 ± 0.5 ms
- Dimensions: 10mm × 38mm
- General purpose fuse for EV/HEV auxiliary protection

Agency Information

- Ref. To UL 248-20, ISO 8820-8, GB/T 31465.6
- Approval: TÜV and UL
- Manufactured under IATF 16949 quality system

Specifications

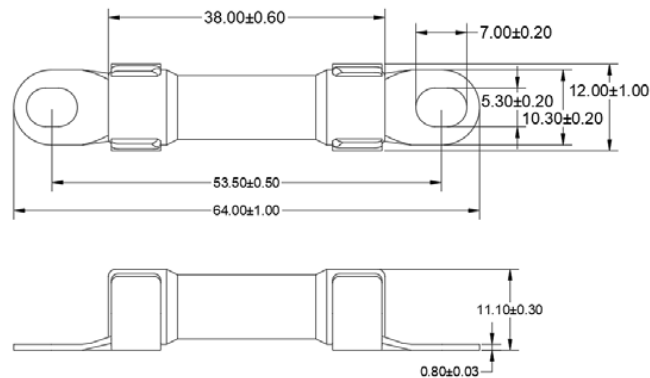
Part Number	Rated Current	Ampere Code	Rated Voltage	Breaking Capacity	I ² t (A ² s)		Dissipation (1.0In W)
					Pre-Arcing	Total	
MP011854	10 A	2100	500V DC	20 kA@500 V DC	160	255	3
MP011855	40 A	2400			1980	3688	5.5

Note: Operating temperature range: -40°C to 90°C

Time Vs Current Characteristic

Standard	UL			Requirements / Result		
	110%	135%	150%	200%	300%	500%
10-50 A	Temperature Stabilization	<1 h	<4 min	Temperature Stabilization	>1 h	<1 h

Dimensions

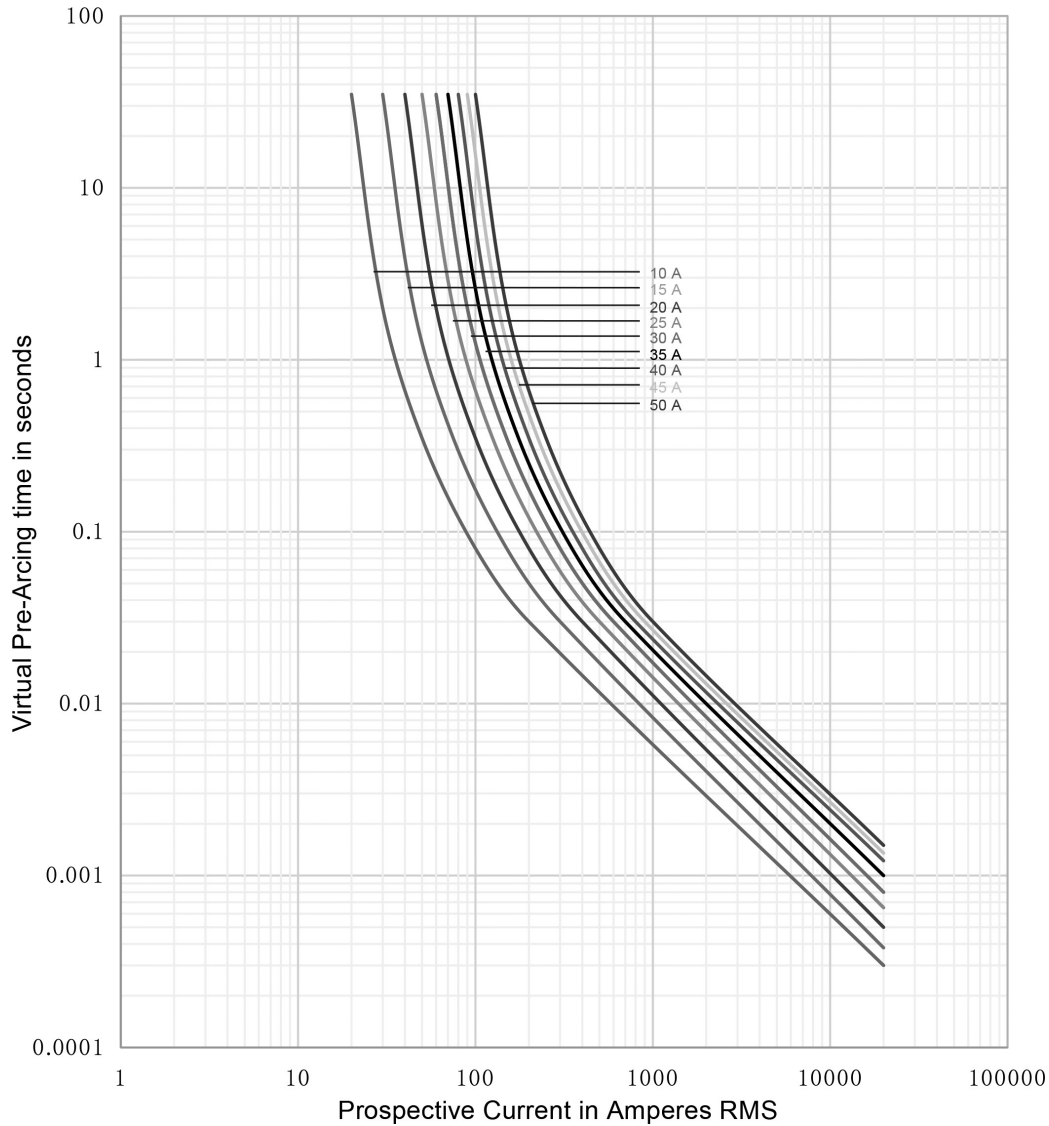


Dimensions : Millimetres

Newark.com/multicomp-pro
Farnell.com/multicomp-pro
sg.element14.com/b/multicomp-pro

multicomp^{PRO}

Average Current Curve(I-T Curve)



Part Number Table

Description	Part Number
Automotive EV Fuse, 10A, 500V DC, Level Mount	MP011854
Automotive EV Fuse, 40A, 500V DC, Level Mount	MP011855

Important Notice : This data sheet and its contents (the "Information") belong to the members of the AVNET group of companies (the "Group") or are licensed to it. No licence is granted for the use of it other than for information purposes in connection with the products to which it relates. No licence of any intellectual property rights is granted. The Information is subject to change without notice and replaces all data sheets previously supplied. The Information supplied is believed to be accurate but the Group assumes no responsibility for its accuracy or completeness, any error in or omission from it or for any use made of it. Users of this data sheet should check for themselves the Information and the suitability of the products for their purpose and not make any assumptions based on information included or omitted. Liability for loss or damage resulting from any reliance on the Information or use of it (including liability resulting from negligence or where the Group was aware of the possibility of such loss or damage arising) is excluded. This will not operate to limit or restrict the Group's liability for death or personal injury resulting from its negligence. Multicomp Pro is the registered trademark of Premier Farnell Limited 2019.