



ENGLISH

## Datasheet

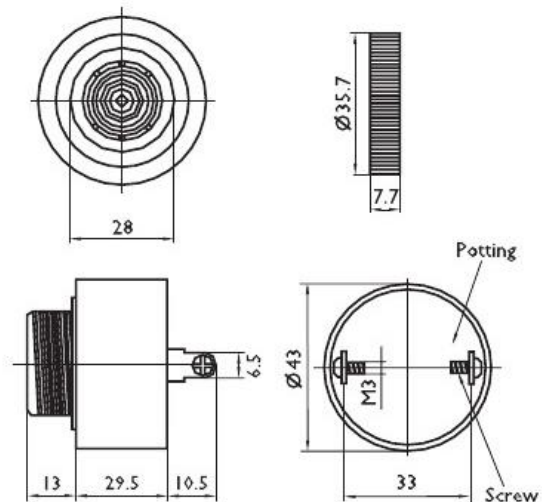
# Pulsed 220Vac/dc Panel Mount Buzzer

RS Stock number [457-043](#)



### Specifications:

Operating Voltage:	60-250VDC/AC
Rated Current:	≤16mA/220VDC/AC
Sound Output at 30cm:	≥91dB/220VDC/AC
Resonant Frequency:	2800±500Hz
Tone Type:	Fast pulse
Operating Temperature:	-20°C to +60°C
Storage Temperature:	-30°C to +70°C
Weight:	43g
Colour:	Black
Mounting Type:	Panel Mount
Housing Material:	ABS
Drive Type:	Internal

**Dimensions:**
**ENGLISH**


Dimensions Unit: mm

 Tolerance:  $\pm 0.5\text{mm}$