

FEATURES

- RoHS compliant
- REACH compliant
- Silicon free

RS PRO BRASS OLIVE

RS Stock No.: 2305192



RS PROfessionally Approved Products bring to you professional quality parts across all product categories. Our product range has been tested by engineers and provides a comparable quality to the leading brands without paying a premium price.

Product Description

The RS PRO brass olive is compatible with water, oil and compressed air. Operating temperature range is from - 60 °C + 300 °C.
The working pressures and working temperatures depend on which type of tube is used, for this reason, the values must be determined in accordance with the tube's features.

General Specifications

Fitting Type	Compression Olive
Material	Brass
Applications	Hot water systems, Central heating systems, Cold water systems

Mechanical Specifications

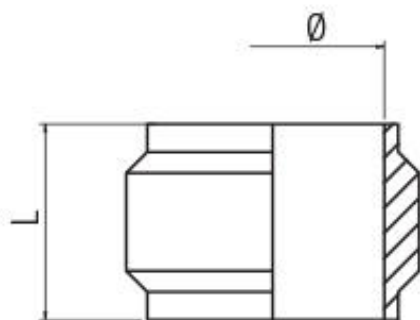
Compatible Pipe Size	6mm
Length	6.5mm
Connection	Compression

Approvals

Standards Met	RoHS and REACH Compliant
----------------------	--------------------------

Similar Products

Parameters	2305195	2305194
Brand	RS PRO	RS PRO
Fitting Type	Compression Olive	Compression Olive
Material	Brass	Brass
Compatible Pipe Size	12mm	10mm
Length	8.5mm	8mm
Connection	Compression	Compression
Standards Met	RoHS and REACH Compliant	RoHS and REACH Compliant
Applications	Hot water systems, Central heating systems, Cold water systems	Hot water systems, Central heating systems, Cold water systems



Tube	L	Pack.
6	6.5	50

