



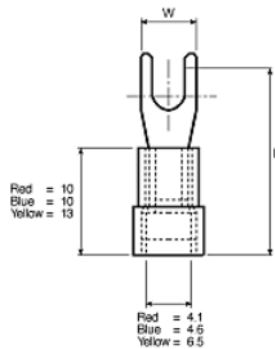
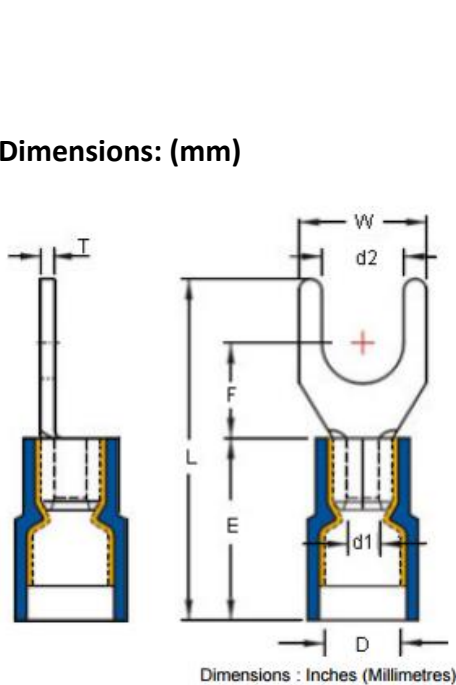
# Datasheet

ENGLISH

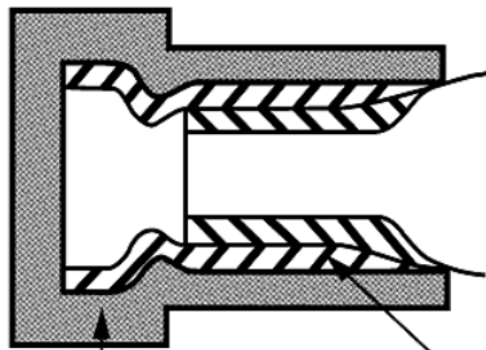
## RS SNYDL Series Insulated Crimp Spade Connector

RS Stock number [267-3852](#)

### Dimensions: (mm)



Type	Stud Size	Red		Blue		Yellow	
		W	L	W	L	W	L
M8	8.4					14.0	30.2
M6	6.5	12.0	27.0	12.0	27.0	12.0	31.5
M5	5.3	9.5	20.9	9.3	20.9	9.0	25.2
M4.5	4.3	8.1	21.2	7.9	20.9	9.0	25.2
M4	4.3	7.2	21.2	7.2	21.2	8.3	25.2
M3.5	3.7	6.4	21.1	6.0	21.2	8.3	24.2
M3	3.2	5.7	21.1	5.6	21.0		



Nylon Insulation

Extra Copper Sleeve

### Specifications

- Maximum Electrical Rating: 105 °C 600 Volts
- Insulation Material: Nylon
- Insulation Colour: Red ( 22 to 16 AWG)  
: Blue (16 to 14 AWG)  
: Yellow (12 to 10 AWG)
- Terminal Material: Copper
- Double Crimp: With Copper Sleeve on Barrel