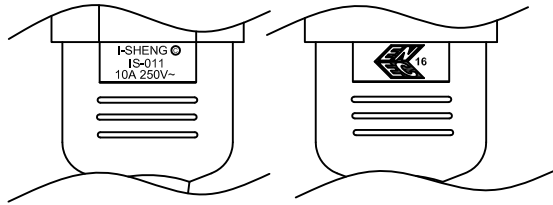
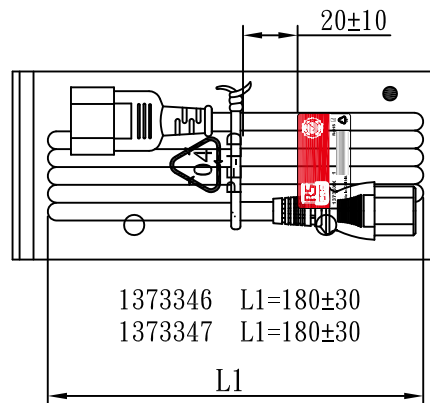
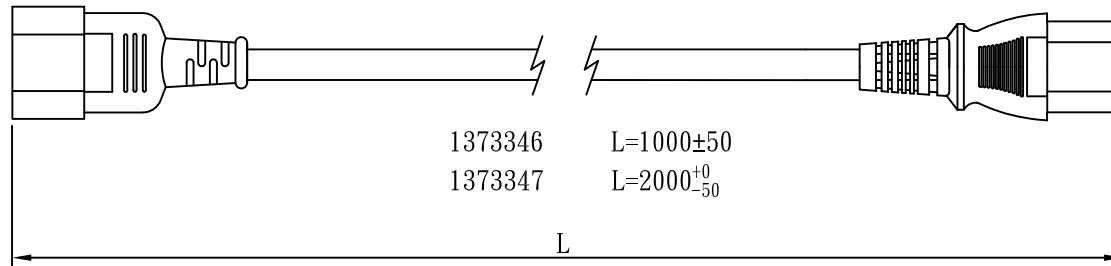
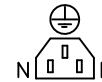
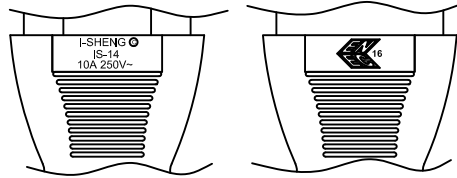


MARKING:



MARKING:



WIRING COLOR:

- E: Yellow/Green
- N: Blue
- L: Brown

LENGED ON CORD : (E04-14)

I

No	BOM ITEM	Q' TY	P/N
1	KPR-11 TERMINAL	3 pcs	BBN11000
2	IS-011 DUST COVER(GREEN)	1 pcs	MP0110XE
3	IS-011 INNER BODY	1 pcs	MI011000
4	PVC 45P (SA87, IS-011)	18 g	RPP045XE
5	KPR-14 TERMINAL	3 pcs	BBB14000
6	IS-14 INNER BODY	1 set	MI014000
7	PVC 45P (SA87, IS-14)	22 g	RPP045XE
8	PE TIE (WHITE , 6 inch)	1 pcs	KBW10006
9	PE BAG(120*260)	1 pcs	KPR10026
10	LABEL(45*25)	1 pcs	

NOTE:1. CORD 128
2. CONTENT 137334X



CABLE	H05VV-F 3G 0.75 DENT PRINT CT-XE(GREEN)			
PLUG	IS-011 + IS-14	LENGTH	L	UNIT mm
CLIENT	NAME	First connectivity	N/W	UNIT kg
	P/N	137334X	SG DWG	SR-172524-5 VER. A

Design. by 楊東 17.07.17
Review. by 楊望春 17.07.17
Approval. by 朱曉玲 17.07.17

X14 JB3E16 XE XXX 02