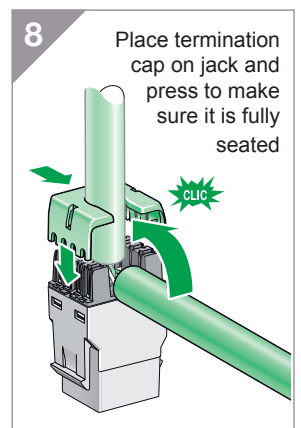
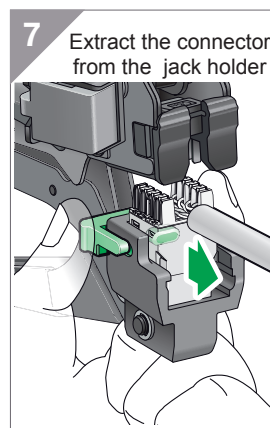
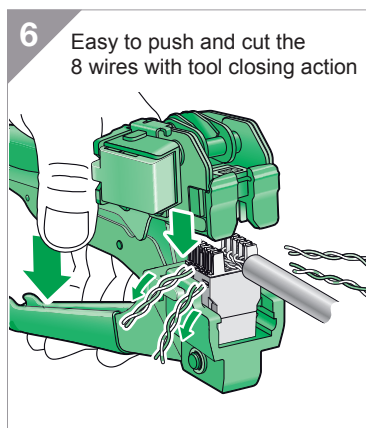
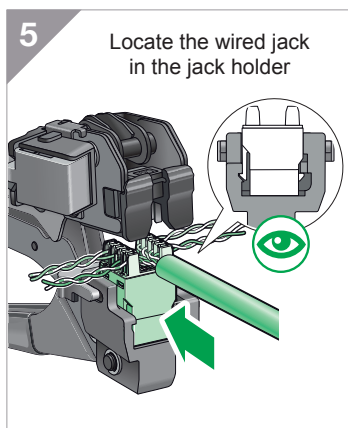
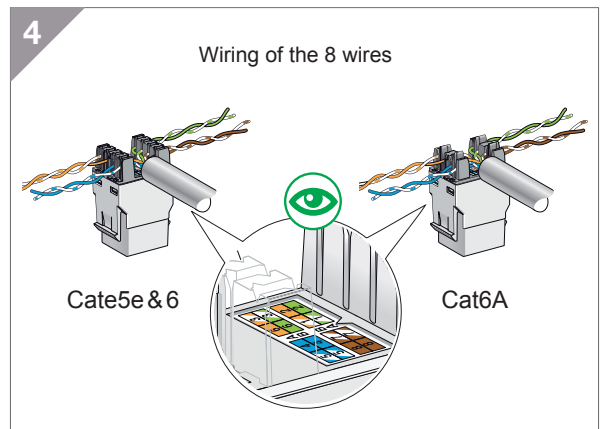
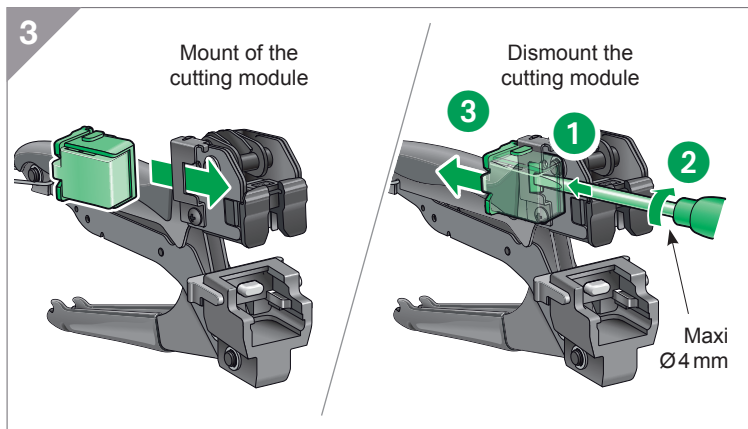
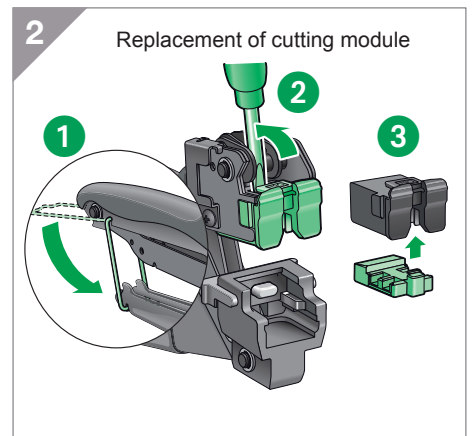
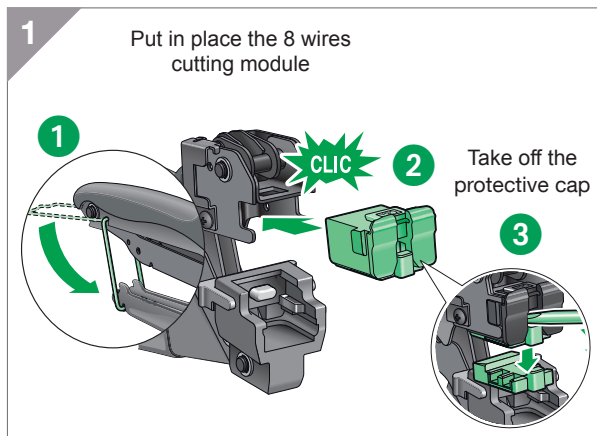
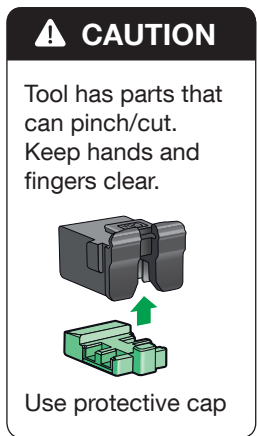
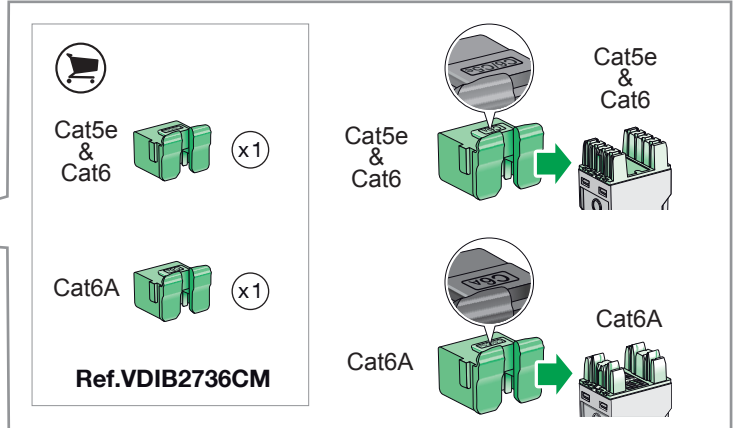
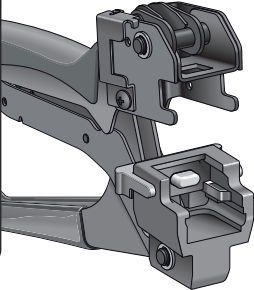


Actassi

Quick termination tool

Tool cutting module preparation



PHA80272

Schneider Electric Industries SAS
35, rue Joseph Monier
92500 Rueil-Malmaison, France

www.schneider-electric.com



VDIB2736

