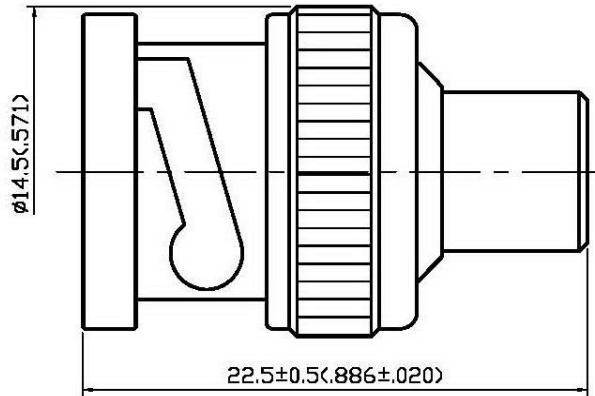


NO	DESCRIPTION	DATE
①	REDUCE SPRING WASHER FROM 2 PCS TO 1 PC	06.06.97
②	BACKGROUND FORMAT UPDATED	11.20.03
③	BACKGROUND FORMAT UPDATED	12.09.08
④	-65°C TO +165° C → -40°C TO +70° C	01.06.10
⑤	ADD DC RESISTANCE ADD POWER RATING DEL INTERFACE	08.05.11



### 1.0 ELECTRICAL

- 1.1 FREQUENCY RANGE: DC-1 GHz
- 1.2 NOMINAL IMPEDANCE: 50 OHM
- 1.3 DC RESISTANCE: 50 OHMS $\pm$ 5% ⑤
- 1.4 POWER RATING: 0.5W ⑤

### 2.0 MATERIALS

- 2.1 BODIES: BRASS PER JIS-C3604
- 2.2 CENTER CONTACT: BRASS PER JIS-C3604
- 2.3 INSULATION: TEFLON PER ASTM D1457 AND ASTM D1710

### 3.0 FINISHES AND OTHERS

- 3.1 SEE BELOW TABLE FOR DETAILS.

### 4.0 ENVIRONMENTAL

- 4.1 OPERATING TEMPERATURE RANGE: -40°C TO +70° C ④

NO	DESCRIPTION	MATERIAL	Q'TY	FINISH
10	CHASSIS	BRASS	1	SILVER 70 $\mu$ " MIN.
9	RESISTOR	1/2W-50 $\Omega$	1	NONE
8	BODY	BRASS	1	SILVER 70 $\mu$ " MIN.
7	WASHER	BRASS	1	SILVER 70 $\mu$ " MIN.
6	SPRING WASHER	SK-5	1	NICKEL
5	WASHER	BRASS	1	NICKEL
4	GASKET	SILICONE	1	RED
3	CENTER CONTACT	BRASS	1	SILVER 70 $\mu$ " MIN.
2	INSULATION	TEFLON	1	NONE
1	SHELL	BRASS	1	SILVER 70 $\mu$ " MIN.

APPROVED

by \_\_\_\_\_

DATE: \_\_\_\_\_



DESCRIPTION		BNC STRAIGHT PLUG TERMINATOR						
製圖	DRAWN	TOLERANCE	品名	13-52-3 T.S.S	日期	DATE	版次	REV.
	<i>Kristina</i>							
檢圖	CHECK	.XX	.XX	UNIT	DWG.NO.	13-0253		
	<i>Arc</i>						$\pm 0.1$	mm(in)
認定	APPROVAL	.XXX	ANGLE	SCALE				
	<i>Jenny</i>				$\pm 0.05$	$\pm 5^\circ$	4:1	