



Datasheet  
Stock No. 1881764, 1882201  
**RS PRO PIEZO TRANSDUCER  
WITH FEEDBACK PIN**



ENGLISH

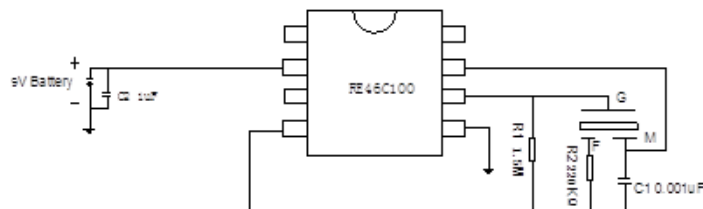


**Specifications**

**1881764, 1882201**

Rated voltage (VDC)	9VDC
Operating voltage	6~12VDC
Rated current at rated voltage	≤50mA
Sound output at 3200Hz at 10cm	≥110dB (Typ 115dB)
Resonant frequency	3200 ± 300Hz
Operating temperature	-20~+60°C
Storage temperature	-30~+70°C
Weight	5g
Tone	Single

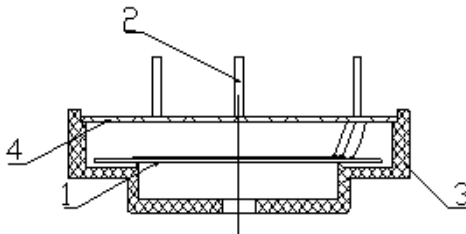
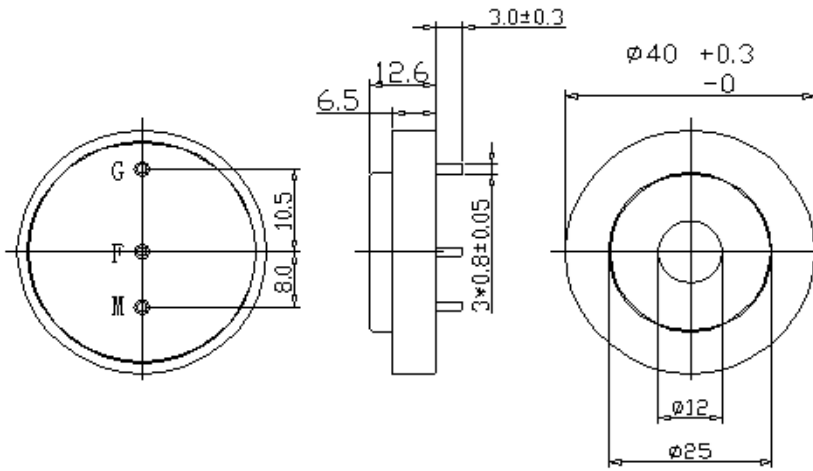
Reference Circuit



**Features**

- ROHS compliant
- All data at 25°C unless otherwise specified
- Housing material: ABS777D (black)

Unless otherwise specified, tolerance:  
 $\pm 0.5$ (unit:mm)



No.	Part Name	Qty	Material
4	PCB	1	Epoxy Board
3	Housing	1	BLACK ABS777D
2	Lead pin	2	Red Copper (DSn)
1	Piezo element	1	Brass