

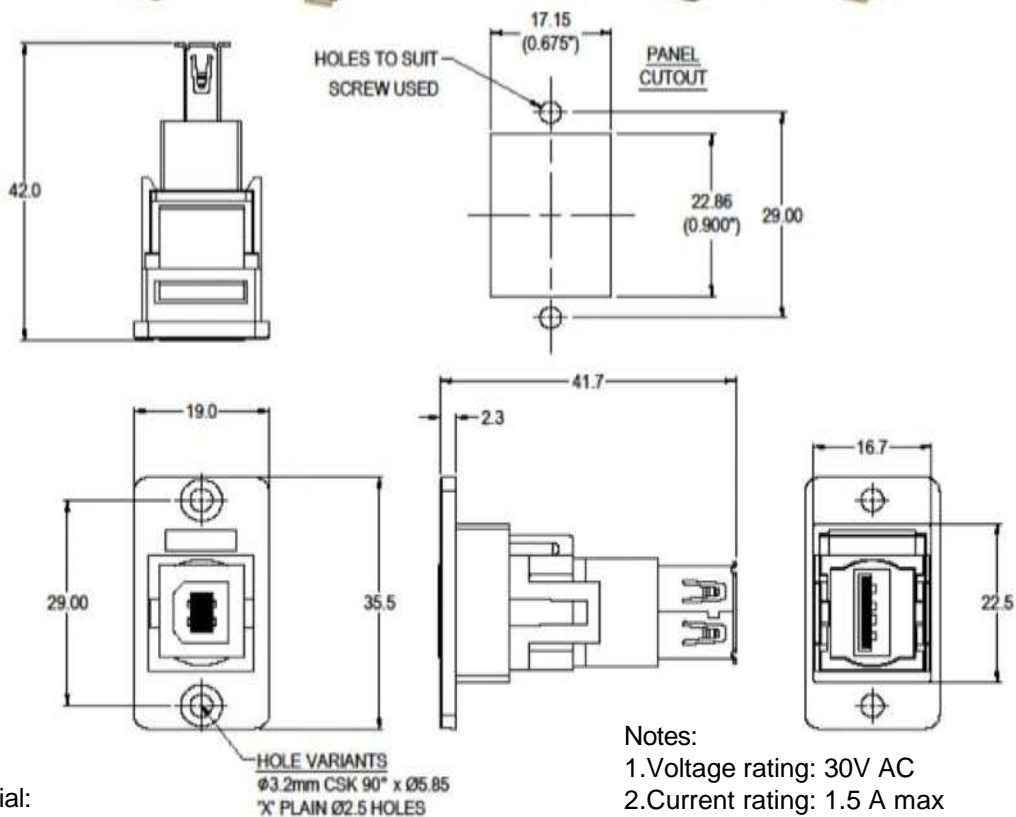


ENGLISH

## Datasheet

# RS PRO SLIM USB2.0 B-A FRONT MOUNTING FT CONNECTOR

Stock No: 2188305, 2188306



### Material:

1. Insert: ABS
2. Frame: Polyamide UL94 V-2
3. Shell: Nickel plated steel
4. Contacts: Gold Plated

### Notes:

1. Voltage rating: 30V AC
2. Current rating: 1.5 A max
3. Contact resistance: 50m $\Omega$  max
4. Insulation resistance: 20M $\Omega$  min
5. Dielectric withstanding voltage: 500V AC
6. Operating Temperature: -20°C to 50°C

[rspro.com](http://rspro.com)

### **Features & Benefits:**

- Fits standard rectangular cutout.
- Various hole mounting options
- No soldering or punch termination. Use standard cable for each connector style.
- Low rear profile.

### **General:**

**Please note: Functionality is affected by cable quality, length and cable wiring configuration.**

### **Variants**

2188305- **SLIM FM USB2.0 B-A Black plastic frame, CSK holes**

2188306- **SLIM FM USB2.0 B-A Black plastic frame, Ø2.5 PLAIN holes**



[rspro.com](http://rspro.com)

