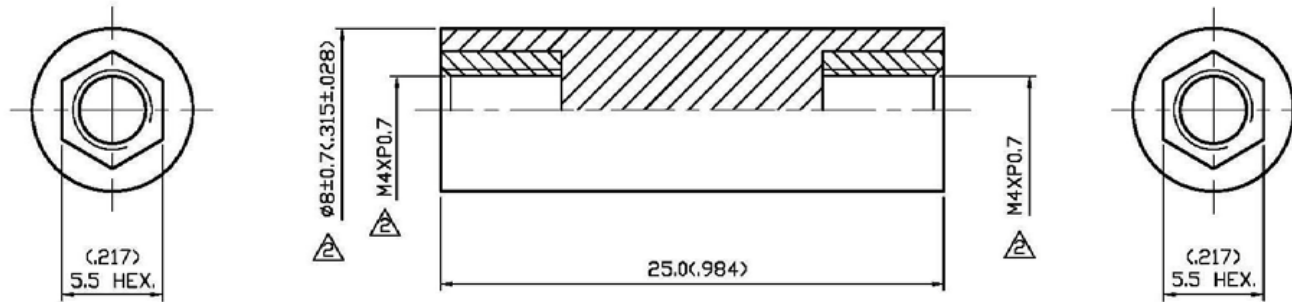


NO	DESCRIPTION	DATE
⚠	DEL 601-209	12.29.06'
⚠	∅8.0 → ∅8±0.7 DEL ∅3.3	09.20.07'
⚠	NONE → NICKEL	12.26.12'



P/N: 6539447

APPROVED by \_\_\_\_\_ DATE: \_\_\_\_\_

NO	DESCRIPTION	MATERIAL	Q'TY	FINISH
2	SCREW	BRASS	2	NICKEL
1	INSULATION	NYLON 66	1	NONE



DESCRIPTION		NYLON SPACER	
製圖	DRAWN Yoko	TOLERANCE	品名 95-86 ⚠ NICKEL
檢圖	CHECK Angela	.X ±0.2	ROHS COMPLIANT
認定	APPROVAL Angela	.XX ±0.1	DATE 10.25.99'
		.XXX ±0.05	版次 A-3
		ANGLE ±5°	DWG.NO. 95-0083
		單位 mm(in)	SCALE
		比例 4:1	