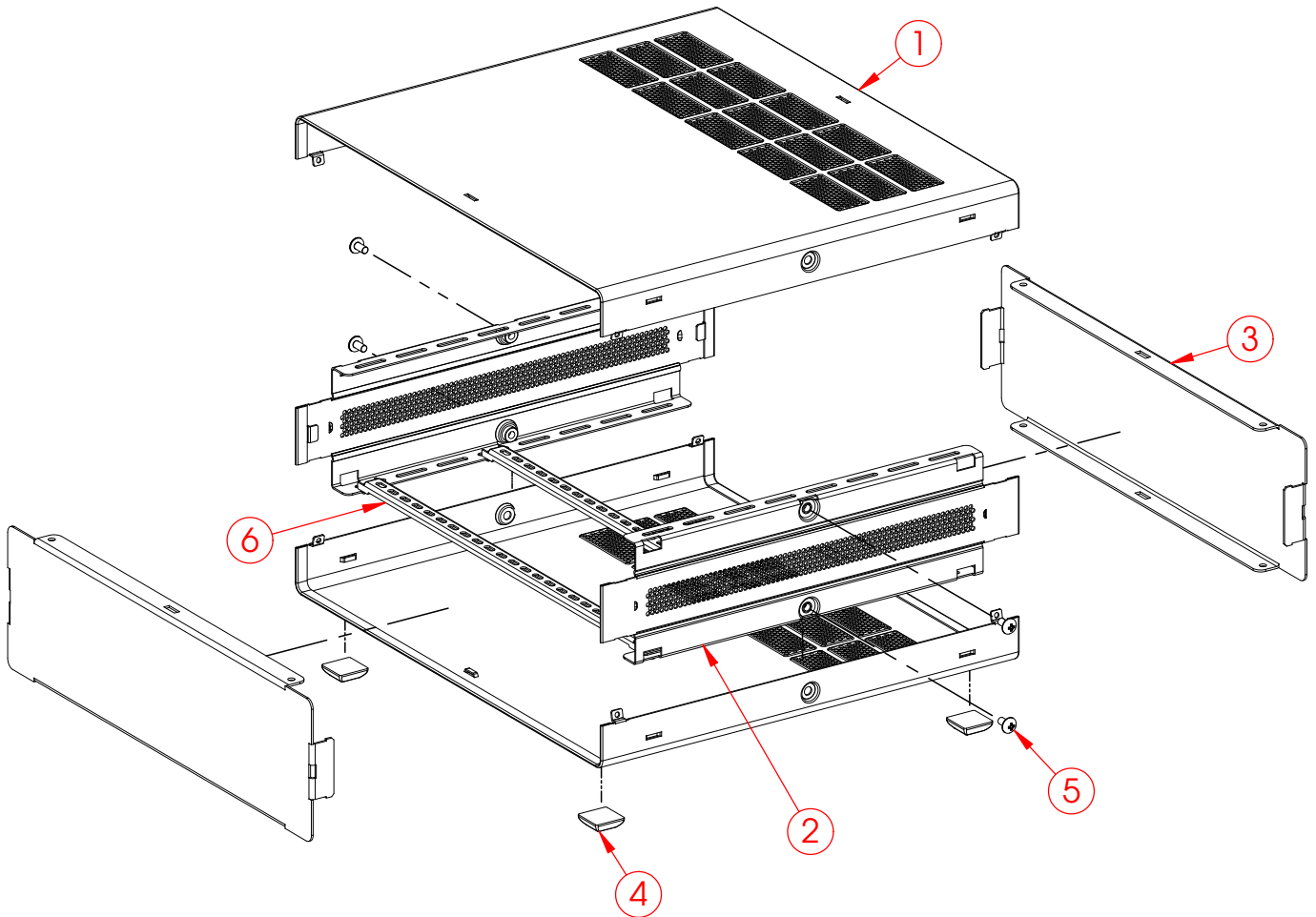


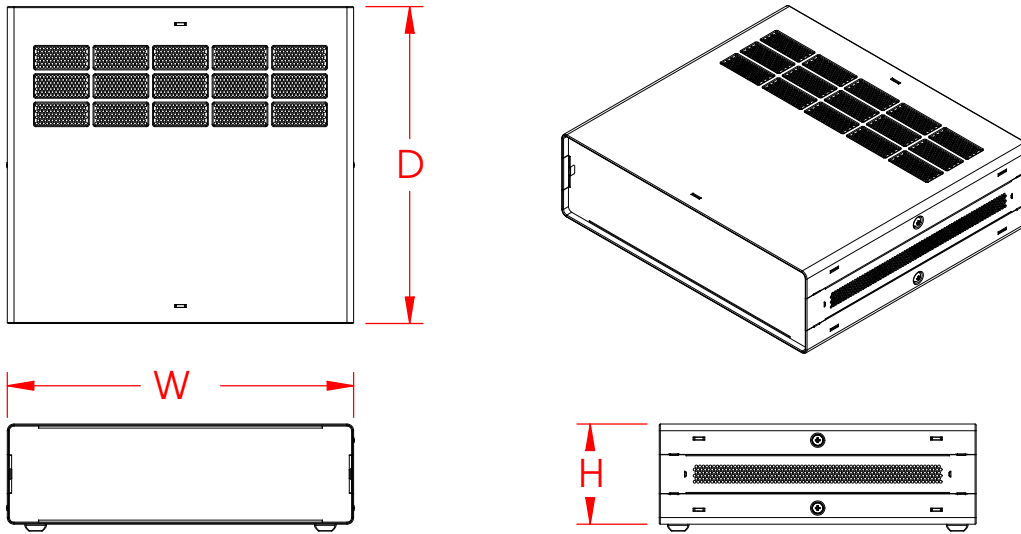


INSTALLATION MANUAL USER GUIDE SAC SYSTEM ENCLOSURE



Item	Description	Material	Qty.
1	TOP BOTTOM COVER	SPCC-SD 0.90 mm.	2
2	SIDE FRAME	SPCC-SD 0.90 mm.	2
3	FRONT-REAR PANEL	AL.1100 1.20 mm.	2
4	RUBBER FOOT	RUBBER	4
5	UMBRELLA PHILIPS SCREW M4-8	STEEL	4

AVAILABLE DIMENSIONS : SAC SYSTEM ENCLOSURE
H x D x W x 1.5U,2U,3U,4U,5U



RS P/N	(H x D x W) Enclosure	Vender P/N
7545951	1.5Ux178Dx305W Electronic Enclosure	SAC1.5D1W2
7545957	1.5Ux178Dx203W Electronic Enclosure	SAC1.5D1W1
7545960	1.5Ux178Dx432W Electronic Enclosure	SAC1.5D1W3
7545963	1.5Ux279Dx203W Electronic Enclosure	SAC1.5D2W1
7545967	1.5Ux279Dx305W Electronic Enclosure	SAC1.5D2W2
7545973	2Ux178Dx305W Electronic Enclosure	SAC2.0D1W2
7545976	1.5Ux279Dx432W Electronic Enclosure	SAC1.5D2W3
7545979	2Ux178Dx203W Electronic Enclosure	SAC2.0D1W1
7545982	2Ux178Dx432W Electronic Enclosure	SAC2.0D1W3
7545985	2Ux279Dx305W Electronic Enclosure	SAC2.0D2W2
7545989	2Ux279Dx432W Electronic Enclosure	SAC2.0D2W3
7545991	3Ux178Dx432W Electronic Enclosure	SAC3.0D1W3
7545995	3Ux279Dx203W Electronic Enclosure	SAC3.0D2W1
7545998	3Ux178Dx305W Electronic Enclosure	SAC3.0D1W2
7546001	3Ux279Dx432W Electronic Enclosure	SAC3.0D2W3
7546005	4Ux178Dx305W Electronic Enclosure	SAC4.0D1W2
7546008	3Ux279Dx305W Electronic Enclosure	SAC3.0D2W2
7546011	4Ux279Dx305W Electronic Enclosure	SAC4.0D2W2
7546014	4Ux178Dx432W Electronic Enclosure	SAC4.0D1W3
7546017	4Ux279Dx203W Electronic Enclosure	SAC4.0D2W1
7546020	4Ux279Dx432W Electronic Enclosure	SAC4.0D2W3
7546023	5Ux279Dx203W Electronic Enclosure	SAC5.0D2W1
7546027	5Ux279Dx305W Electronic Enclosure	SAC5.0D2W2
7546036	5Ux279Dx432W Electronic Enclosure	SAC5.0D2W3