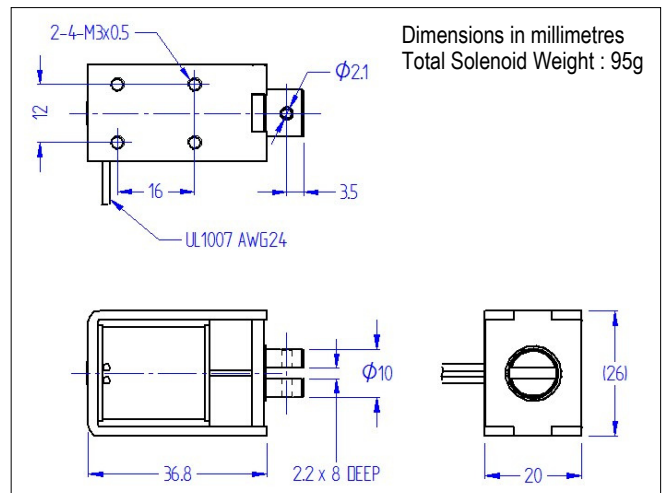
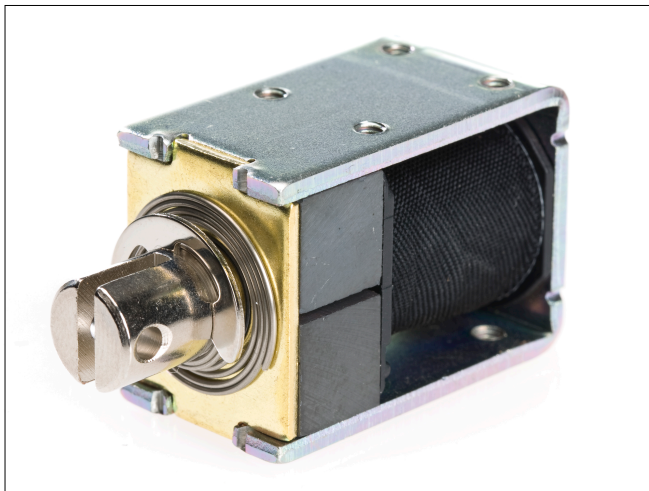


## Datasheet

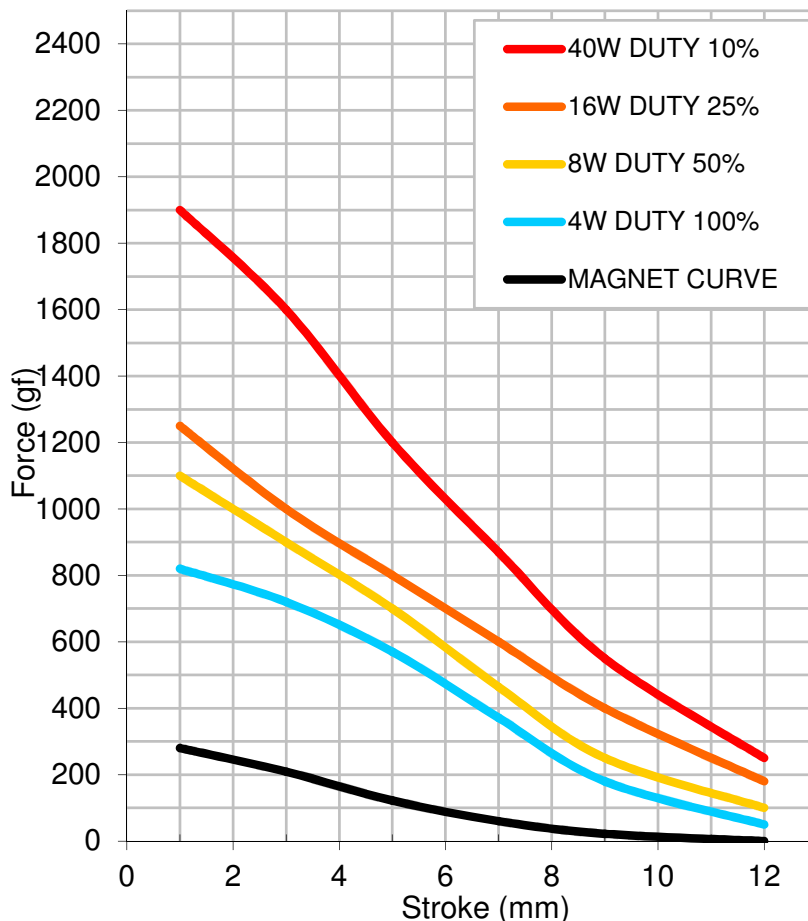
# RS Article: 177 - 0139 Latching Solenoid 12V



### Specifications:

### Features:

Force/Stroke Characteristics



- Pull type
- Flying leads
- Corrosion resistant plated parts
- Complete with spring