

FEATURES

- Quick connection and disconnection
- Large range to comply food norms
- Silicon free
- Operating temperature range is from - 15 °C to + 190 °C

RS PRO TEE CONNECTOR - FOOD GRADE

RS Stock No.: 2312777



RS PROfessionally Approved Products bring to you professional quality parts across all product categories. Our product range has been tested by engineers and provides a comparable quality to the leading brands without paying a premium price.

Product Description

The RS PRO tee connector works in - 0.99 bar to 20 bar pressure range. It is mainly used in dairy, coffee machine, vending, food & beverage, medical, vacuum applications. It is available in brass with Food Grade coating. In combination with FEP tubes, it is the most demanded solution for the Food & Beverage market. Because of the special coating it can be used also in aggressive environment. RoHS and REACH compliant.

General Specifications

Material	Nickel Plated Brass
Applications	Lubrication System, Cooling System, Pneumatic Machinery Equipment

Mechanical Specifications

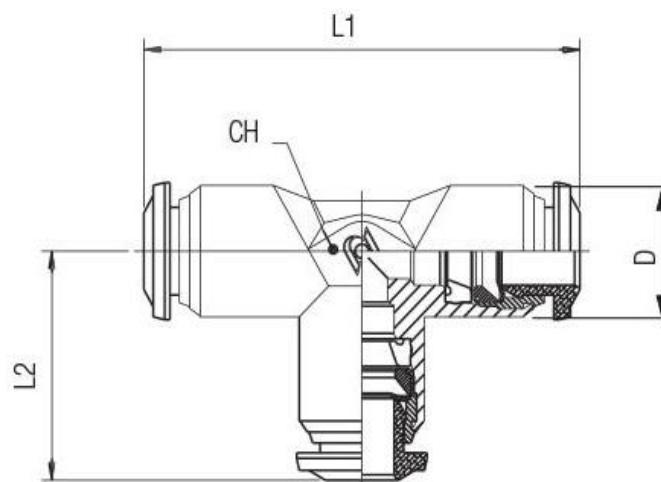
Connection Type	Tube
Tube Connection Size	12mm
Hose Barb Connection	21.5mm
Length	61mm
Wrench Size	19mm

Operation Environment Specifications

Minimum Operating Temperature	-15°C
Maximum Operating Temperature	190°C

Similar Products

Parameters	2312773	2312775
Brand	RS PRO	RS PRO
Wrench Size ¹	9	13
Length L1	34mm	45mm
Length L2	17mm	22.5mm



Tube	L1	L2	CH	D	Bag
12	61	30,5	19	21.5	10