



Datasheet

RS PRO 2mtr USB 3.1 Type C Male to USB 2.0 Type A Male Cable 5 Pack

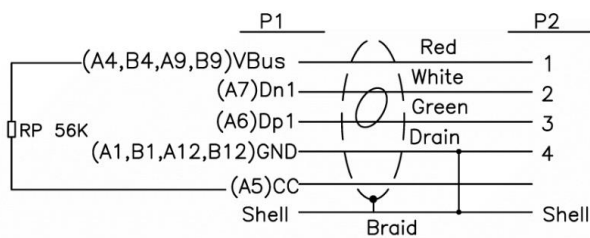
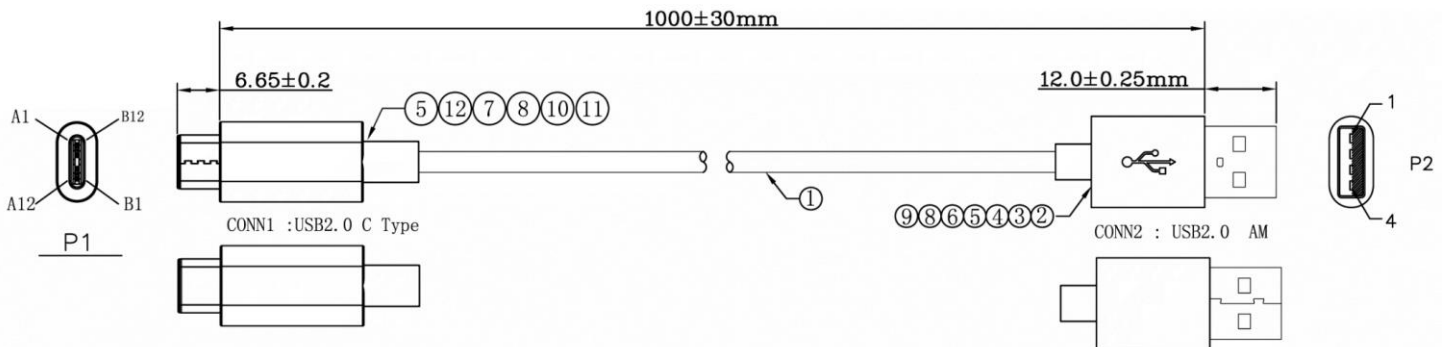
Stock number: 2513298

EN

The RS PRO 2 metre USB version 3.1 type C male to USB version 2.0 type A male cable has a black PVC jacket and connector hoods. The cable flex has copper wire conductors and drain wire, with an aluminium braid, foil shielding and has an outer diameter of 3mm.

The connectors are nickel and have a strain relief to help avoid the cable splitting around the edge of the boot.

USB 3.1 supports 20 volt, 3 amp power delivery, this cable has a 56KΩ resistor to prevent too much power getting to a USB 2.0 device.



12	Inside Molding:Low pressure material
11	USB TYPE C~Below Tinplate Nickel Plated
10	USB TYPE C~UP Tinplat Nickel Plated
9	W=5MM 25u Double conductive copper foil
8	H.S TUBE φ 1.0 Thick wall
7	Outside Molding 45P PVC Color:Black
6	Inside Molding:Transparent PE
5	山鼎TYPEC-USB2.0 C Type Connector With~PCBA (56KΩ)
4	USB2.0 AM UP Tinplat Nickel Plated
3	USB2.0 AM Below Tinplate Nickel Plated
2	USB2.0 AM insulation:WHITE PIN:Gold plated
1	NO~UL~30AWG*2C+24AWG+3EAB (16/9/0.06TC 95%TC) OD:3.0MM~PVC~BLACK~NO-MARKING

RoHS / REACH / CE / UKCA

