

3M Aqua-Pure™

AP Easy Complete & Complete Cooler

Drinking Water System



Reduces:

Particulate
Chlorine Taste & Odor
Asbestos
Parasitic Protozoan Cysts
Lead
Mercury
Atrazine
Benzene
Carbofuran
Lindane
p-Dichlorobenzene
Toxaphene

Spec #

Quantity

At a Glance:

- Easy to install, no special tools required
- Easy to maintain, filter change is a twist
- Built-in mounting bracket

Product Benefits:

- Reduces: Particulate, Chlorine taste & odor, Asbestos, Parasitic Protozoan Cysts, Lead, Mercury, Atrazine, Benzene, Carbofuran, Lindane, p-Dichlorobenzene and Toxaphene
- Advanced dual stage carbon-block filtration process to help provide cleaner, clearer better tasting drinking water
- Compact, slim design allows for easy installation to a water cooler (AP Easy Complete Cooler) or under the sink (AP Easy Complete) without compromising storage space
- Sanitary Quick Change (SQC) cartridge design helps provide fast & easy cartridge change-out with minimal effort
- The AP Easy Complete and Complete Cooler built-in bypass valve eliminates having to shut-off water to the faucet while changing cartridges
- 750 gallon/2,839 liter capacity

Common Applications:

- Water Coolers (AP Easy Complete)
- Under Sink (AP Easy Complete)

Product Specifications:

Model No. (Part No.)	Inlet/ Outlet Size	Dimensions		Flow Rate	Capacity	Max. Water Temp.	Max. Water Pressure	Std. Replacement Ctg. No.
		Height	Diameter					
Complete Cooler ¹ (5617934)	1/4" Push	12 1/2" (31.7 cm)	2 15/16" (7.5 cm)	0.75 gpm (2.8 lpm)	750 gallons (2,839 liters)	100°F (37.8°C)	125 psi (862 kPa)	C-Complete (5618044)
Complete ² (5617931)	1/4" Push	10-1/2" (26.7 cm)	2-3/8" (6.0 cm)	0.75 gpm (2.8 lpm)	750 gallons (2,839 liters)	100°F (37.8°C)	125 psi (862 kPa)	C-Complete (5618044)

¹AP Easy Complete Cooler does not come with a faucet.

²AP Easy Complete comes with a faucet to install.

AP Easy Complete & Complete Cooler Drinking Water System

Spec # _____

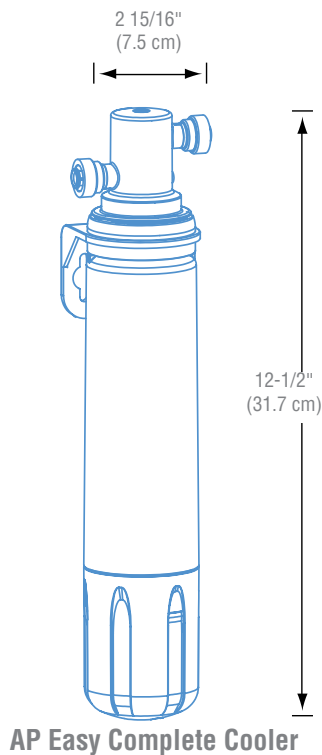
Quantity _____

Model Number _____

Part Number _____

Product Specifications:

- 1/4" Quick Connect fittings
- Systems are a single vessel design
- Systems have a maximum operating pressure of 125 psi (862 kPa) and operating temperature of 100°F (37.8°C)
- Systems includes attached mounting bracket
- AP Easy Complete includes dedicated faucet
- AP Easy Complete Cooler does not include dedicated faucet
- Universal system design allows for use on both chlorinated (municipal) and non-chlorinated (well water) systems



General Product Guidelines:

⚠ WARNING: Read entire manual. Failure to follow all guides and rules could cause personal injury or property damage.

- Check with your local public works department for plumbing codes. You must follow their guidelines as you install the Water Filtration system.
- Your Water Filtration system will withstand up to 125 pounds per square inch (psi) water pressure. If your house water supply pressure is higher than 80 psi, install a pressure reducing valve before installing the Water Filtration system.

To reduce the risk associated with the ingestion of contaminants:

- DO NOT use with water that is microbiologically unsafe or of unknown quality without adequate disinfection before or after the system. Systems certified for cyst reduction may be used on disinfected water that may contain filterable cysts.

NOTICE: To reduce the risk associated with property damage due to water leakage or flooding:

- Read and follow Use Instructions before installation and use of this system.
- Change the disposable filter cartridge at the recommended interval; the disposable filter cartridge MUST be replaced every 6 months or sooner.
- Failure to replace the disposable filter cartridge at recommended intervals may lead to reduced filter performance and failure of the filter, causing property damage from water leakage or flooding.

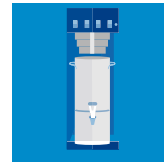
3M Purification Inc. recommends regularly scheduled maintenance and replacement of the filters in order for the product to perform as advertised. 3M Purification Inc. shall not be liable for system failures due to improper maintenance.

Under Sink



AP Easy Complete

Water Cooler



AP Easy Complete Cooler

Ordering Guide

Model Name	Part No	3M ID	UPC
AP Easy Complete Cooler	5617934	70020321025	00051128894323
AP Easy Complete	5617931	70020320993	00051128889152
AP Easy C-Complete	5618044	70020321140	00051128889121

Limited Warranty:

3M warrants this Product (excluding disposable filter cartridge(s) or membrane) will be free from defects in material and manufacture for one (1) years from the date of purchase. The disposable filter cartridge(s) or membrane is warranted to be free from defects in material and manufacture for one (1) year from the date of purchase: This warranty does not cover failures resulting from abuse, misuse, alteration or damage not caused by 3M or failure to follow installation and use instructions. No warranty is given as to the service life of any filter cartridge or membrane as it will vary with local water conditions and water consumption. 3M MAKES NO OTHER WARRANTIES OR CONDITIONS, EXPRESS OR IMPLIED, INCLUDING, BUT NOT LIMITED TO, ANY IMPLIED WARRANTY OR CONDITION OF MERCHANTABILITY OR FITNESS FOR A PARTICULAR PURPOSE OR ANY IMPLIED WARRANTY OR CONDITION ARISING OUT OF A COURSE OF DEALING, CUSTOMER OR USAGE OF TRADE. If the Product fails to satisfy this Limited Warranty during the warranty period, 3M will replace the Product or refund your Product purchase price. This warranty does not cover labor. The remedy stated in this paragraph is Customer's sole remedy and 3M's exclusive obligation. **For additional information, see the entire Limited Warranty located in the product Installation and Operating Instruction Manual.**

Limitation of Liability: 3M will not be liable for any loss or damage arising from this 3M product, whether direct, indirect, special, incidental, or consequential, regardless of the legal theory asserted, including warranty, contract, negligence or strict liability. Some states and countries do not allow the exclusion of limitation of incidental or consequential damages, so the above limitation or exclusion may not apply to you.

3M Purification Inc.
400 Research Parkway
Meriden, CT 06450 U.S.A.
Toll Free: 1.800.222.7880
Worldwide: 203.237.5541
Fax: 203.238.8701
www.aquapure.com
www.3mpurification.com



Visit www.nsf.org for the claims associated with products that are NSF listed.

3M and Aqua-Pure are trademarks of 3M Company.
NSF is a trademark of NSF International.
© 2016 3M Company. All rights reserved.
70020341163 REV 1016

Distributed by: