



Main

Range of product	Harmony 9001K Harmony 9001SK
Product or component type	Empty enclosure
Device short name	9001SK
Number of cut-out	3 cut-outs
Cable entry	1 entry tapped for 3/4" knockout

Complementary

Product destination	For Ø 30 mm control and signalling units
Material	Plastic
Product weight	0.79 kg

Environment

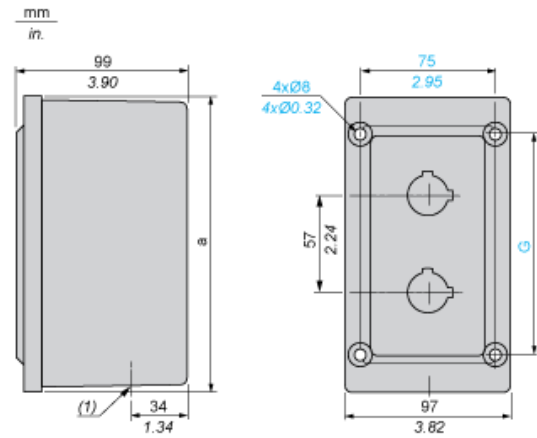
Protective treatment	TH
Ambient air temperature for storage	-40...70 °C
Ambient air temperature for operation	-25...70 °C
Class of protection against electric shock	Class II conforming to IEC 61140
NEMA degree of protection	NEMA 4X NEMA 4 NEMA 3 NEMA 12 NEMA 1

Offer Sustainability

Sustainable offer status	Not Green Premium product
RoHS	Will be Compliant on 3Q2014

Dimensions

Below drawing shows a 2-hole enclosure. Refer to the product characteristics to get the number of holes.



(1) Knockout conduit thread: 3/4".

a		G	
mm	in.	mm	in.
226	8.90	181	7.12