

APPROVED SOURCE FOR CABLE

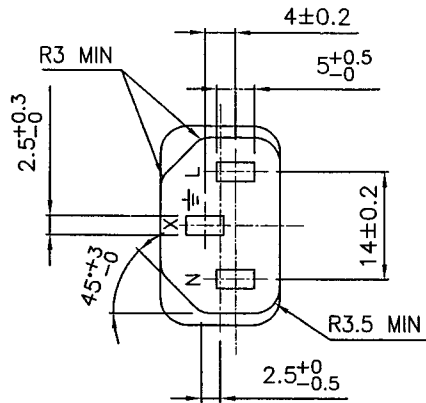
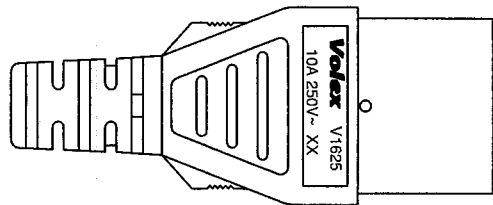
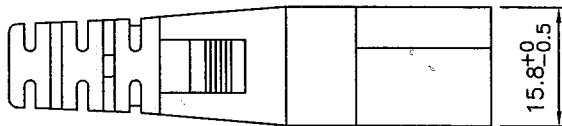
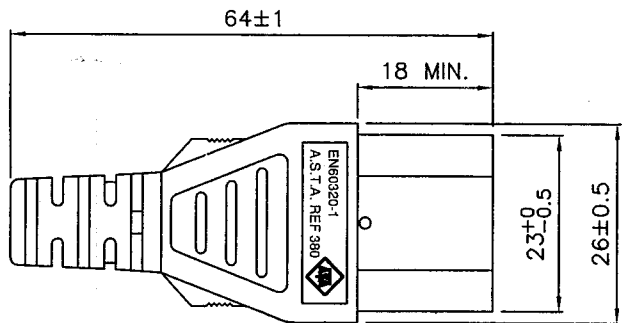
1. BAO HING(SHENZHEN).
2. TA HSING(SHENZHEN).

NOTE :


1. ALL DIMENSIONS IN mm.
2. THE CORD SHALL COMPLY WITH EN 50525-2-11.
3. THE MOLDED PLUG SHALL COMPLY WITH BS 1363-1.
4. THE MOLDED CONNECTOR SHALL COMPLY WITH IEC 60320-1 OR EN 60320-1.
5. LABEL DETAILS : REFER TO LABEL DRAWING NO. : VL-0538.
6. THIS PART CAN BE MANUFACTURED AT ANY LOCATION WHICH HAS SAFETY APPROVAL.

9	PIN CAP - UK PLUG	6900058	1
8	LABEL PP WARNING 50X20MM	6102941	1
7	PRINTED LABEL	VL-0538	1
6	BAG PE 150X300X0.05	904076	1
5	8" PE TIE BLK	6310062	1
4	IP60G NL7976B BLK	4100115	-
	MOLDED DUO-CORD (10A 250V)	DUO-CORD	1
3	IP60G NL7976B BLK	4100115	-
	MOLDED CONNECTOR V1625 (10A 250V)	V1625	2
2	FUSE 10A (CAP WITH NICKEL PLATING)	6210013	OR
	FUSE 10A	6210005	1
1	IP60G NL7976B BLK	4100115	-
	MOLDED PLUG UK13A3 (10A 250V)	UK13A3-3	1
1	H05VV-F 3X1.00 BLK PVC LEAD FREE	1210365	3
S/N	DESCRIPTION	ITEM NUMBER	QTY

TITLE :		BRITISH POWER SUPPLY CORDSET (PB FR)			SCALE :	N.T.S.
CUSTOMER :		VPE/RS COMPONENTS			PAGE :	1/1
CUSTOMER PART NUMBER :		8188912			ISSUE	
Reference Number :		144310/1 (HG07-102-14)			003	
SALES :	QA :	ENGRG :	CHECKED BY :	DRAWN BY :		
			<i>[Signature]</i>	XIAOZHI		
Date :	Date :	Date :	Date :	Date :		
		29/1/14	29/02/16	28/07/14	Confidential property of Voelx. Information contained herein shall not be disclosed to others, reproduced or used for any other purposes except as authorized in writing by an authorized official of Voelx Asia.	

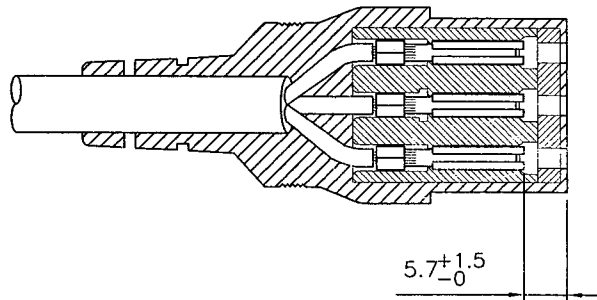


EN60320-1
A.S.T.A. REF 380



Volex V1625
10A 250V~ XX

MARKING DETAILS



REV.	DESCRIPTION	DATE
	UPDATE FORMAT AS SHOWN.	
L	REMOVE THE CLOSED FACTORY FM. MANU. LOCATION MARK.	06/11/06
M	REMOVE THE CLOSED FACTORY FROM MANU. LOCATION MARK.	20/07/09

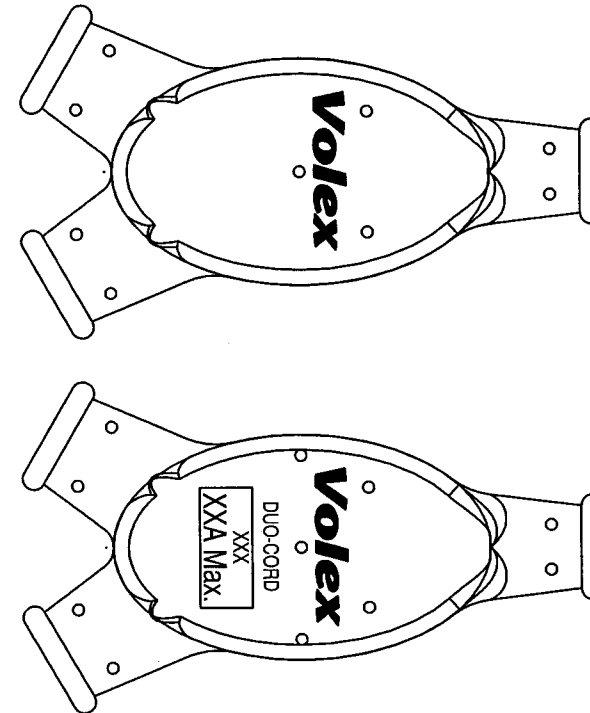
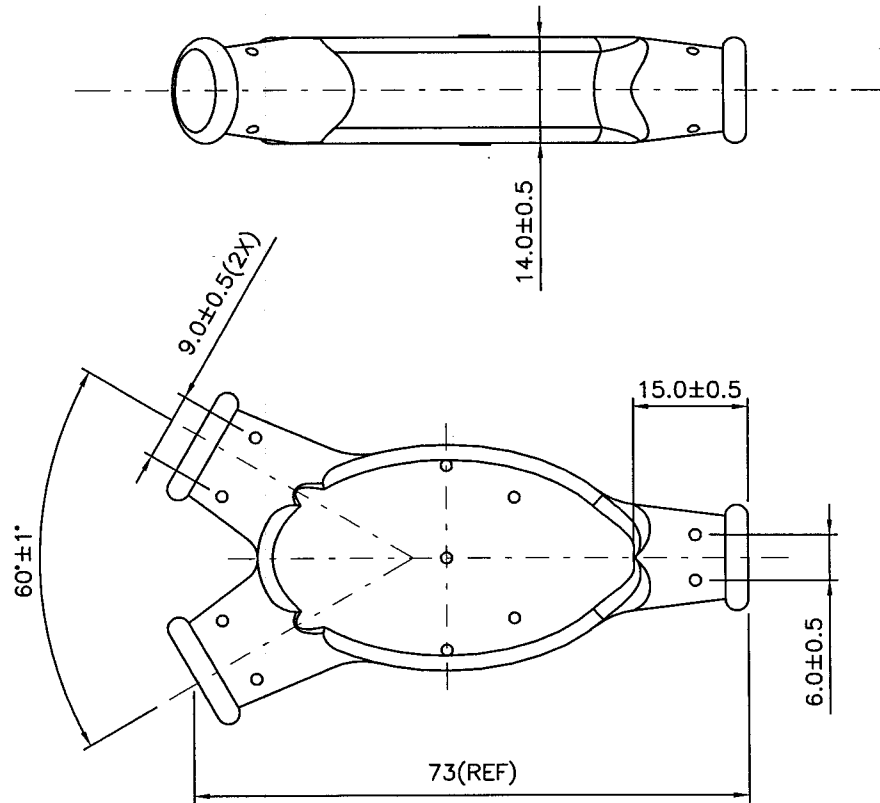
NOTE :

- 1.) ALL DIMENSIONS IN mm.
- 2.) X - CAVITY NO. (OPTIONAL)
- 3.) XX - MANUFACTURING LOCATION.



HG	HENG GANG (CHINA)	X	DRAWN	CONGFANG	20/07/09	FILE NAME :	TITLE : MOLDED CONNECTOR V1625 <i>Volex (Asia) Pte Ltd</i>	
SM1	ZHONGSHAN (CHINA)	X	CHECK	<i>handlt</i>	<i>23/07/09</i>	A-CONNECTOR/ UK/GENERAL/ V1625-ASTA		
VH	HANOI (VIETNAM)	X	APPR	<i>wata</i>	<i>31/7/9</i>	N.T.S.		
B	BATAM (INDONESIA)	X	REV.	M	SCALE			
VC	CHENNAI (INDIA)	X	REFERENCE :				BRITISH APPROVAL	
MANUFACTURE LOCATION MARK (* X * IS APPLICABLE ONLY)								Confidential property of Volex. Information contained herein shall not be disclosed to others, reproduced or used for any other purposes except as authorized in writing by an authorized official of volex asia.

REV.	DESCRIPTION	DATE
	REMOVE THE CLOSED FACTORY FM. MANU. LOCATION MARK.	
	LOCATION MARK.	
F	UPDATE THE DIM. AS SHOWN.	27/07/09
G	ADD IN MANU. LOCATION MARK 'SMI'.	26/02/10



MARKING DETAILS :

NOTES :

- 1.) ALL DIMENSIONS IN mm
- 2.) XXXA MAX. - CURRENT RATING. (REFER TO TABLE)
- 3.) XXX - MANUFACTURING LOCATION.

TABLE :

CURRENT (XXXA MAX.)	7A	10A	13A
		✓	

HG	HENG GANG (CHINA)	X	DRAWN	HONGYAN	26/02/10	FILE NAME :	TITLE :
SM1/SMI	ZHONGSHAN (CHINA)	X	CHECK	<i>hongyan</i>	<i>02/02/10</i>	A-PLUG/ NON-APPROVAL/ GENERAL/DUO-CORD	DUO-CORD
			APPR	<i>wpt</i>	<i>2/3/10</i>		
			REV.	G	SCALE		
B	BATAM (INDONESIA)	X	REFERENCE :				Voilex (Asia) Pte Ltd
VC	CHENNAI (INDIA)	X	NON APPROVAL				
MANUFACTURE LOCATION MARK (' X ' IS APPLICABLE ONLY)							<p><i>Confidential property of Voilex.</i></p> <p><i>Information contained herein shall not be disclosed to others, reproduced or used for any other purposes except as authorized in writing by an authorized official of voilex asia.</i></p>