

Features

- Low profile VGA connectors
- Fully varnish impregnations
- Low noise laminations
- Fully shrouded bobbins

RS PRO Clamp Mount Transformer series, 230V

RS Stock No.: see below table



RS PRO Professionally Approved Products bring to you professional quality parts across all product categories. Our product range has been tested by engineers and provides a comparable quality to the leading brands without paying a premium price.

Product Description

The RS PRO Clamp Mount Transformers 6VA to 50VA are high quality isolating transformers designed for use in general applications. Both input and output can be connected for double voltage or for double power - by series connection or parallel connection. Designed according to the following specifications.

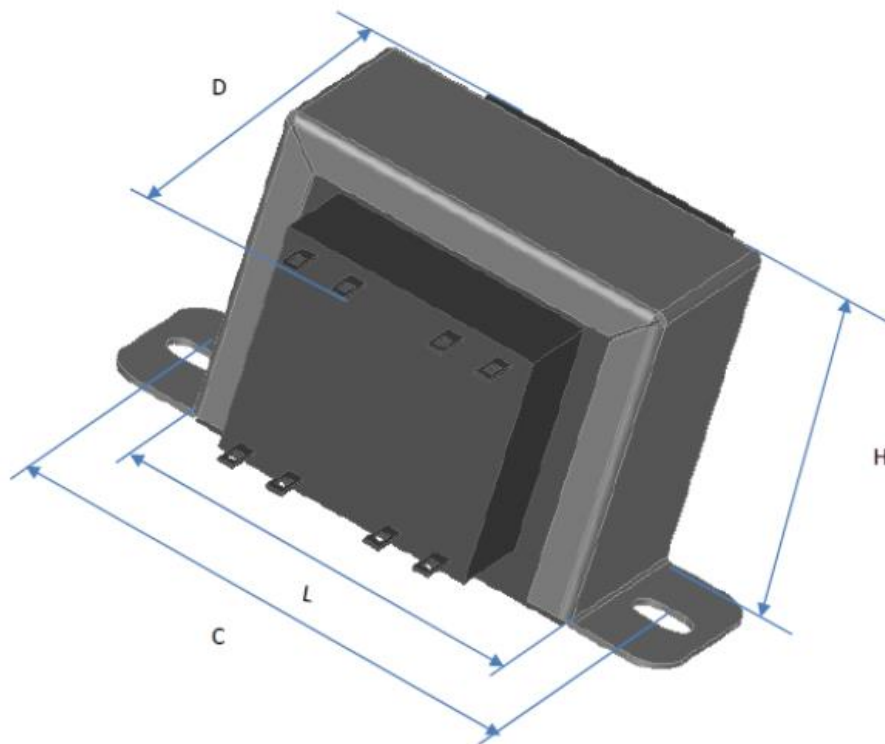
General Specifications

Laminations	Low noise
Bobbin construction	Double section
Bobbin Type	Fully shrouded
Clamp frame fixing type	2-hole clamp frame fixing
Terminations type	Solder tag terminations
Impregnation	Full varnish impregnation
Further details	Optional terminal shrouds
Other Benefits	<ul style="list-style-type: none">• Detailed product specification on permanent label• High efficiency, low regulation design• 100% electrical and flash tested

Electrical Specifications

Power	6 - 50 VA
Frequency	50 / 60 Hz
Primary	230 VAC, +/-10%
Secondary	2x5, 2 x 6,2x9, 2x12 , 2x15, 2x18, 2 x 20 or 2 x 24 V
Isolation	4 kV RMS

Dimensions and fittings:



Mechanical Specifications

Power [VA]	Overall Size L x D x H [mm]	Fixing		Weight [kg]	Efficiency %
		C [mm]	Slot size		
6	45 x 40 x 37	53.5	4 x 5.5	0.20	> 80 %
12	59 x 50 x 50	70	4.7x8.7	0.4	>87%
20	59x57x50	70	4.7x8.7	0.55	> 80 %
50	79x62x65	92	4.7x9.5	1.0	>84%

Operating Environment Specifications

Temp class	Ta (70°) / B
------------	--------------

Protection Category

IP-Rating	IP00
-----------	------

Approvals

Certifications	UKCA, CE, RoHS
Standards/ Conformity	BS/EN 61558-1, AS/NZS 61558.1 and BS/EN 61558-2-6, AS/NZS 61558.2.6 or BS/EN 61558-2-4 AS/NZS 61558.2.4 IEC 61558-1, IEC 61558-2-6 or IEC 61558-2-4

Similar Products

RS Stock number	Power VA	Specification	No-load voltage +/- 5%	According to
504694	6	Clamp mounting Transformer, 230V / 2x5V	6.5 V	IEC61558-2-6 / EN61558-2-6
504767	6	Clamp mounting Transformer, 230V / 2x6V	8.0 V	IEC61558-2-6 / EN61558-2-6
504690	6	Clamp mounting Transformer, 230V / 2x9V	11.8 V	IEC61558-2-6 / EN61558-2-6
504779	6	Clamp mounting Transformer, 230V / 2x12V	15.5 V	IEC61558-2-6 / EN61558-2-6
504773	6	Clamp mounting Transformer, 230V / 2x15V	19.5 V	IEC61558-2-6 / EN61558-2-6
504757	6	Clamp mounting Transformer, 230V / 2x18V	24.5 V	IEC61558-2-6 / EN61558-2-6
504789	6	Clamp mounting Transformer, 230V / 2x20V	26.9 V	IEC61558-2-6 / EN61558-2-6
504739	6	Clamp mounting Transformer, 230V / 2x24V	32.0 V	IEC61558-2-6 / EN61558-2-6
504735	12	Clamp mounting Transformer, 230V / 2x5V	5.75 V	IEC61558-2-6 / EN61558-2-6
504745	12	Clamp mounting Transformer, 230V / 2x6V	6.8 V	IEC61558-2-6 / EN61558-2-6
504600	12	Clamp mounting Transformer, 230V / 2x9V	10.35 V	IEC61558-2-6 / EN61558-2-6
504741	12	Clamp mounting Transformer, 230V / 2x12V	13.6 V	IEC61558-2-6 / EN61558-2-6
504751	12	Clamp mounting Transformer, 230V / 2x15V	17.2 V	IEC61558-2-6 / EN61558-2-6
504606	12	Clamp mounting Transformer, 230V / 2x18V	20.3 V	IEC61558-2-6 / EN61558-2-6
504599	12	Clamp mounting Transformer, 230V / 2x20V	22.7 V	IEC61558-2-6 / EN61558-2-6
504616	12	Clamp mounting Transformer, 230V / 2x24V	27.2 V	IEC61558-2-6 / EN61558-2-6
504612	20	Clamp mounting Transformer, 230V / 2x5V	5.7 V	IEC61558-2-6 / EN61558-2-6
504593	20	Clamp mounting Transformer, 230V / 2x6V	7.0 V	IEC61558-2-6 / EN61558-2-6
504561	20	Clamp mounting Transformer, 230V / 2x6.3V	7.35 V	IEC61558-2-6 / EN61558-2-6
504577	20	Clamp mounting Transformer, 230V / 2x9V	10.3 V	IEC61558-2-6 / EN61558-2-6
504571	20	Clamp mounting Transformer, 230V / 2x12V	13.9 V	IEC61558-2-6 / EN61558-2-6
504587	20	Clamp mounting Transformer, 230V / 2x15V	17.5 V	IEC61558-2-6 / EN61558-2-6
504583	20	Clamp mounting Transformer, 230V / 2x18V	20.9 V	IEC61558-2-6 / EN61558-2-6
504650	20	Clamp mounting Transformer, 230V / 2x20V	23.2 V	IEC61558-2-6 / EN61558-2-6
504662	20	Clamp mounting Transformer, 230V / 2x24V	27.8 V	IEC61558-2-6 / EN61558-2-6
504666	50	Clamp mounting Transformer, 230V / 2x6V	6.6 V	IEC61558-2-6 / EN61558-2-6
504656	50	Clamp mounting Transformer, 230V / 2x9V	10.0 V	IEC61558-2-6 / EN61558-2-6
504672	50	Clamp mounting Transformer, 230V / 2x12V	13.3 V	IEC61558-2-6 / EN61558-2-6
504622	50	Clamp mounting Transformer, 230V / 2x15V	16.7 V	IEC61558-2-6 / EN61558-2-6
504640	50	Clamp mounting Transformer, 230V / 2x18V	20.0 V	IEC61558-2-6 / EN61558-2-6
504628	50	Clamp mounting Transformer, 230V / 2x20V	22.2 V	IEC61558-2-6 / EN61558-2-6
504638	50	Clamp mounting Transformer, 230V / 2x24V	26.6 V	IEC61558-2-6 / EN61558-2-6

Schematic/ Connections

