

**PERFORMANCE SPECIFICATIONS  
(TYPICAL VALUES)**

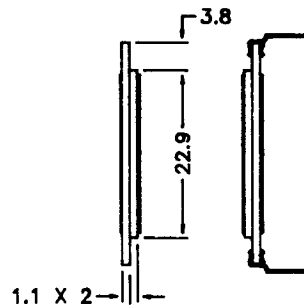
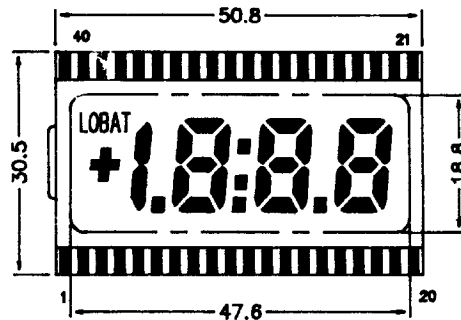
DISPLAY TYPE		WIDE TEMPERATURE
ITEMS		
OPERATING VOLTAGE		5.0 V
MAX. DC COMPONENT ALLOWABLE		50 mA
VIEWING ANGLE	HORIZONTAL	±35°
	VERTICAL	+40°/-10°
OPERATING TEMPERATURE (°C)		-30 TO 80
STORAGE TEMPERATURE (°C)		-40 TO 85

**TYPICAL ENVIRONMENTAL TESTS**

ITEMS	DISPLAY TYPE	WIDE TEMPERATURE GRADE
UPPER TEMPERATURE STORAGE		85°C / 240 HRS
LOWER TEMPERATURE STORAGE		-40°C / 240 HRS
UPPER TEMPERATURE OPERATION		80°C / 240 HRS
LOWER TEMPERATURE STORAGE		-30°C / 240 HRS
HIGH HUMIDITY		60°C 90%RH / 240 HRS
THERMAL SHOCK X 10 CYCLES		-30°C ↔ 25°C ↔ 85°C 30 MINS. 10 MINS. 30 MINS.
EXPECTED LIFE		100,000 HRS

NO NOTICEABLE CHANGES IN EXTERNAL APPEARANCE OR FUNCTION ARE TO BE FOUND AFTER ABOVE TESTS

5018



PIN	COM	PIN	COM	PIN	COM	PIN	COM
1	COM	11	2C	21	4A	31	2F
2	Y	12	2P	22	4F	32	2G
3	1BC	13	3E	23	4G	33	NC
4	NC	14	3D	24	3B	34	NC
5	NC	15	3C	25	3A	35	NC
6	NC	16	3P	26	3F	36	NC
7	NC	17	4E	27	3G	37	NC
8	1P	18	4D	28	CCL	38	LOBAT
9	2E	19	4C	29	2B	39	X
10	2D	20	4B	30	2A	40	COM

