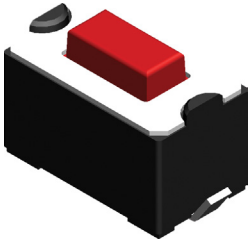


# Tactile Switches

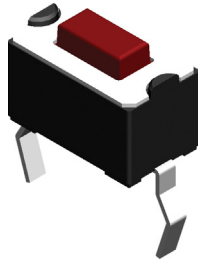
3.5mm × 6mm, Through Hole & SMT Type

**multicomp** PRO

RoHS  
Compliant



MPTSM



MPTS

## Features

- Compact Size 3.5mm × 6mm
- Sharp Click Feeling
- Choice of SMT terminal type

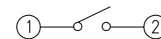
## Application

- Audio, OA Equipment
- Instrumentation
- Industrial

## Specification

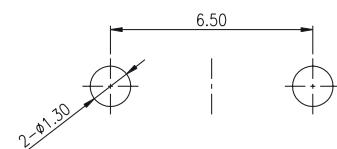
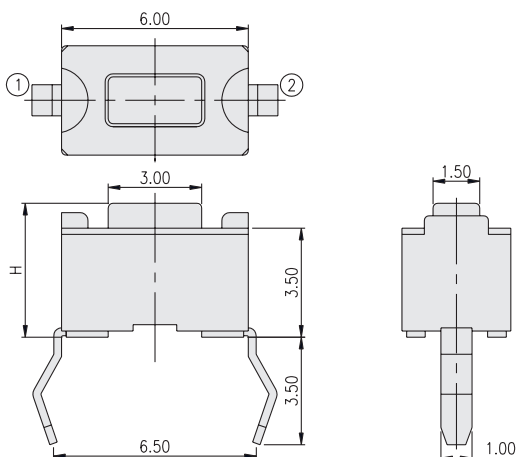
Contact Rating	: 50mA, 12V DC
Contact Resistance	: 100mΩ max.
Insulation Resistance	: 100MΩ min. 500V DC
Dielectric Strength	: 250V AC / 1 minute
Operating Force	: 160 ±50gf, Brown(N) 260 ±50gf, Red(R)
Travel	: 0.25mm
Operating Life	: 30,000 cycles (260gf) 50,000 cycles (160gf)
Operating Temp.	: -25°C to +70°C
Storage Temp.	: -30°C to +80°C

## Circuit



## Diagram

MPTS



P.C.B. LAYOUT

Dimensions : Millimetres

Newark.com/multicomp-pro  
Farnell.com/multicomp-pro  
sg.element14.com/b/multicomp-pro

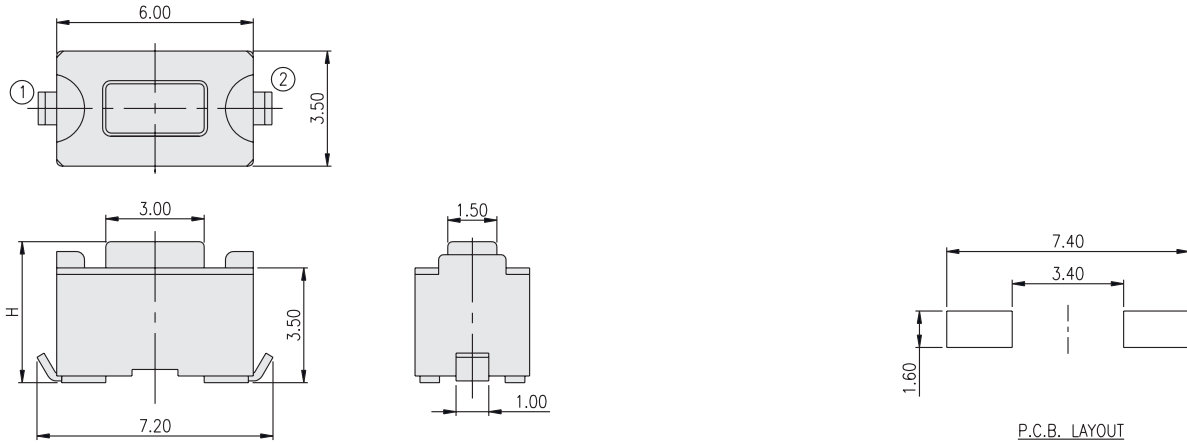
**multicomp** PRO

# Tactile Switches

3.5mm × 6mm, Through Hole & SMT Type

**multicomp** PRO

MPTSM



Dimensions : Millimetres

## Part Number Table

Description	Part Number
Tactile Switch, 4.3mm Height, SMT, Brown, 160gf	MPTSM-31N-V
Tactile Switch, 4.3mm Height, SMT, Red, 260gf	MPTSM-31R-V
Tactile Switch, 5mm Height, SMT, Brown, 160gf	MPTSM-32N-V
Tactile Switch, 5mm Height, SMT, Red, 260gf	MPTSM-32R-V
Tactile Switch, 4.3mm Height, Through Hole, Brown, 160gf	MPTS-31N-V
Tactile Switch, 4.3mm Height, Through Hole, Red, 260gf	MPTS-31R-V
Tactile Switch, 5mm Height, Through Hole, Red, 260gf	MPTS-32R-V

**Important Notice :** This data sheet and its contents (the "Information") belong to the members of the AVNET group of companies (the "Group") or are licensed to it. No licence is granted for the use of it other than for information purposes in connection with the products to which it relates. No licence of any intellectual property rights is granted. The Information is subject to change without notice and replaces all data sheets previously supplied. The Information supplied is believed to be accurate but the Group assumes no responsibility for its accuracy or completeness, any error in or omission from it or for any use made of it. Users of this data sheet should check for themselves the Information and the suitability of the products for their purpose and not make any assumptions based on information included or omitted. Liability for loss or damage resulting from any reliance on the Information or use of it (including liability resulting from negligence or where the Group was aware of the possibility of such loss or damage arising) is excluded. This will not operate to limit or restrict the Group's liability for death or personal injury resulting from its negligence. Multicomp Pro is the registered trademark of Premier Farnell Limited 2019.

Newark.com/multicomp-pro  
Farnell.com/multicomp-pro  
sg.element14.com/b/multicomp-pro

**multicomp** PRO