

HDMI Connector, Cable Assemblies and Plastic Dust Cap

multicomp PRO

**RoHS
Compliant**

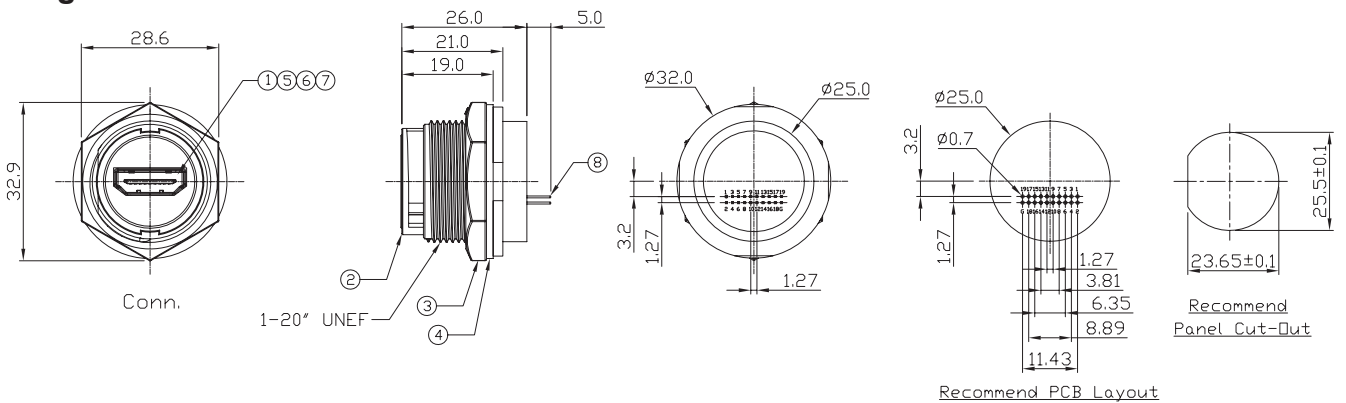
MP002463 HDMI Receptacle C4 Plastic Panel Female Lock Dip



Specifications

IP Rating : IP67
 Recommend Panel Thickness : 0.8mm to 6mm
 Recommend Torque : 19 to 20Kgf-cm

Diagram



Dimensions : Millimetres

No.	Part Name	Material/Finish	Qty.
1	HDMI Female	Shell: Copper Alloy, Finish: Ni Plated	1
		Contacts: Copper Alloy, Finish: Au Plated	
		Housing: Thermoplastic, Colour: Black	
2	Housing	Thermoplastic, Colour: Black	1
3	Hex Nut	Thermoplastic, Colour: Black	
4	Gasket	Silicone; Colour: Black	
5	PCB	FR-4; Colour: Black	
6	Hold	Silicone; Colour: Black	-
7	Glue	Epoxy; Colour: Black	
8	Pin Header	Housing: Thermoplastic, Colour: Black	1
		Contacts: Copper Alloy, Finish: Au Plated	

Newark.com/multicomp-pro
 Farnell.com/multicomp-pro
 Element14.com/multicomp-pro

multicomp PRO

HDMI Connector, Cable Assemblies and Plastic Dust Cap



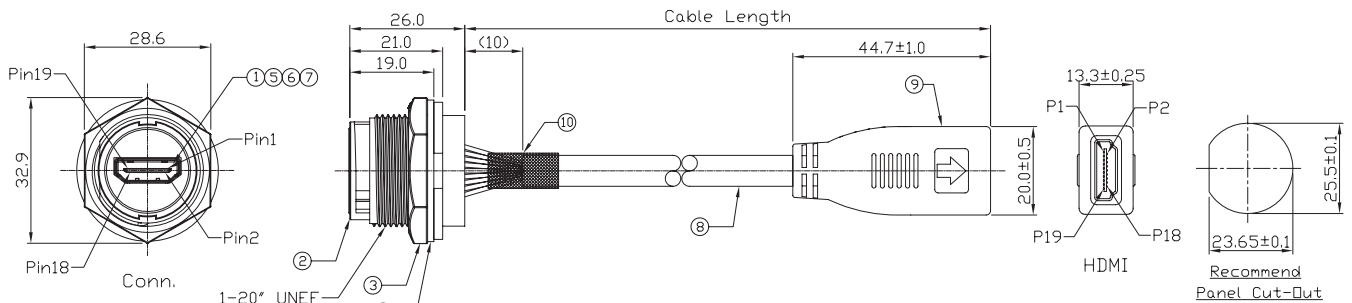
MP002464 & MP002465 HDMI C4 Plastic Panel Female Lock with HDMI Receptacle



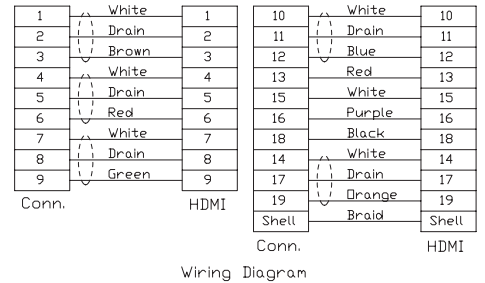
Specifications

IP Rating : IP67
 Recommend Panel Thickness : 0.8mm to 6mm
 Recommend Torque : 19 to 20Kgf-cm

Diagram



Dimensions : Millimetres



Wiring Diagram

No.	Part Name	Material/Finish	Qty.	
1	HDMI Female	Housing: Thermoplastic; Colour: Black	1	
		Contacts: Copper Alloy, Finish: Au Plated		
		Shell: Copper Alloy, Finish: Ni Plated		
2	Housing	Thermoplastic; Colour: Black	1	
3	Hex Nut	Thermoplastic; Colour: Black		
4	Gasket	Silicone; Colour: Black		
5	PCB	FR-4; Colour: Black		
6	Hold	Silicone; Colour: Black		
7	Glue	Epoxy; Colour: Black		-
8	Cable	UL20276 [(28#/1PR+EAM)×5+(28#/4C)]+AB85% Colour: Black, OD=7.3mm		1
9	HDMI Female	HDMI 19P Female IDC Type Colour: Black		
10	Shrink Tube	L=20mm; Colour: Black		



HDMI Connector, Cable Assemblies and Plastic Dust Cap



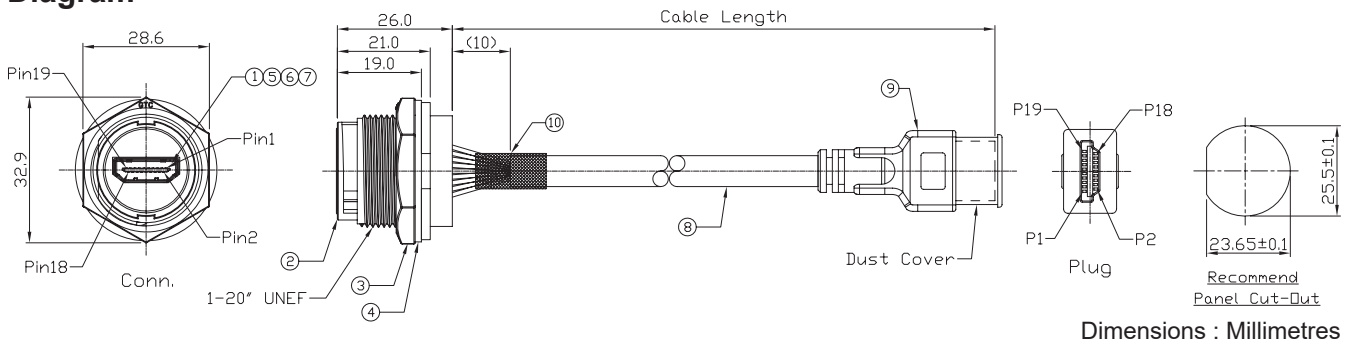
MP002466 & MP002467 HDMI C4 Plastic Panel Female Lock with HDMI Plug



Specifications

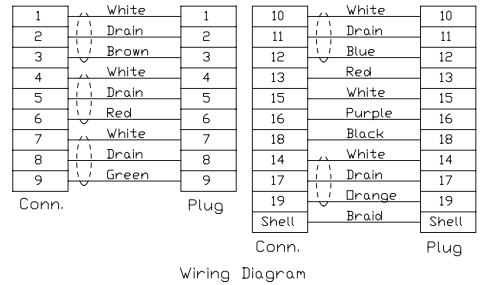
IP Rating : IP67
 Recommend Panel Thickness : 0.8mm to 6mm
 Recommend Torque : 19 to 20Kgf-cm

Diagram



Dimensions : Millimetres

No.	Part Name	Material/Finish	Qty.
1	HDMI Female	Housing: Thermoplastic; Colour: Black	1
		Contacts: Copper Alloy, Finish: Au Plated	
		Shell: Copper Alloy, Finish: Ni Plated	
2	Housing	Thermoplastic; Colour: Black	
3	Hex Nut	Thermoplastic; Colour: Black	
4	Gasket	Silicone; Colour: Black	
5	PCB	FR-4; Colour: Black	
6	Hold	Silicone; Colour: Black	
7	Glue	Epoxy; Colour: Black	
8	Cable	UL20276 [(28#/1PR+EAM)×5+(28#/4C)]+AB85% Colour: Black, OD=7.3mm	
9	HDMI Female	HDMI 19P Female IDC Type Colour: Black	
10	Shrink Tube	L=20mm; Colour: Black	



Wiring Diagram



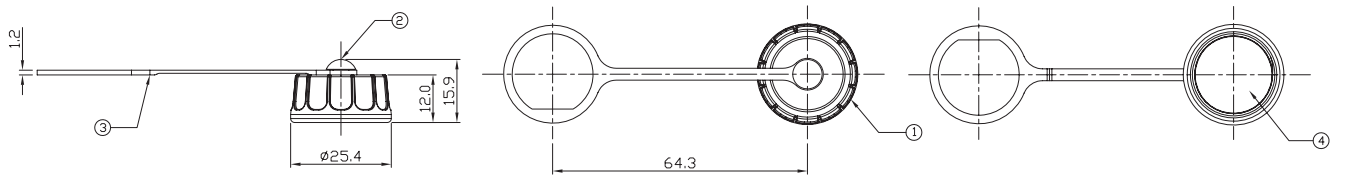
MP002473 Cap Plastic for C3 Screw Panel with Plastic Chain



Specification

IP Rating : IP67

Diagram



Dimensions : Millimetres

No.	Part Name	Material/Finish	Qty.
1	Screw Cap	Thermal plastic, Colour: Black	1
2	Plastic Rivet		
3	Plastic Chain		
4	Rubber Pad	Silicone; Colour: Black	

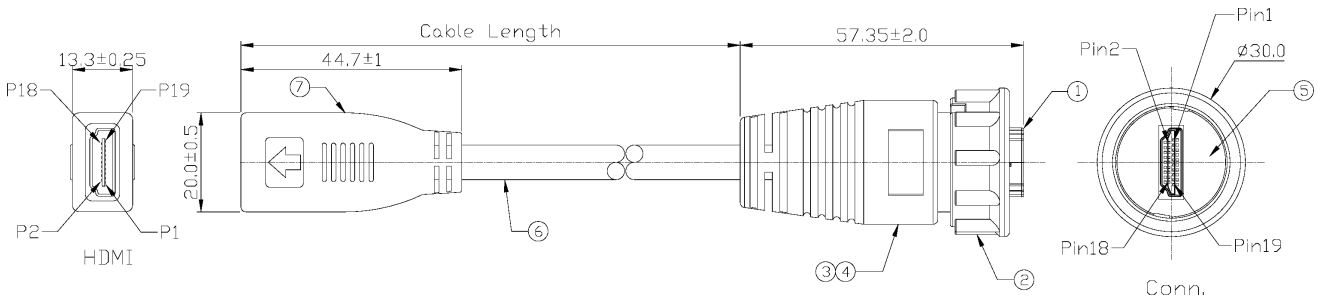
HDMI Connector, Cable Assemblies and Plastic Dust Cap



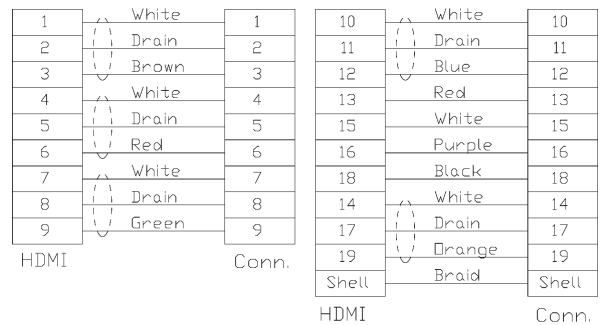
MP007433 & MP007435 HDMI C4 Plastic Cable End Plug Lock with HDMI Receptacle

Specifications

IP Rating : IP67



Dimensions : Millimetres



▲ Wiring Diagram

No.	Part Name	Material/Finish	Qty.
1	HDMI Plug	Housing: Thermoplastic; Colour: Black	1
		Contacts: Copper Alloy, Finish: Au Plated	
		Shell: Copper Alloy, Finish: Au Plated	
2	Lock Nut	Thermoplastic; Colour: Black	
3	Inner Mold	Thermoplastic; Colour: Black	
4	Over Mold	PVC; Colour: Black	
5	Rubber Pad	Silicon; Colour: Black	
6	Cable	UL20276 [(28#/1PR+EAM)×5+(28#/4C)]+AB85% Colour: Black, OD=7.3mm	
7	HDMI Female	HDMI 19P Female IDC Type; Colour: Black	

Newark.com/multicomp-pro
 Farnell.com/multicomp-pro
 Element14.com/multicomp-pro



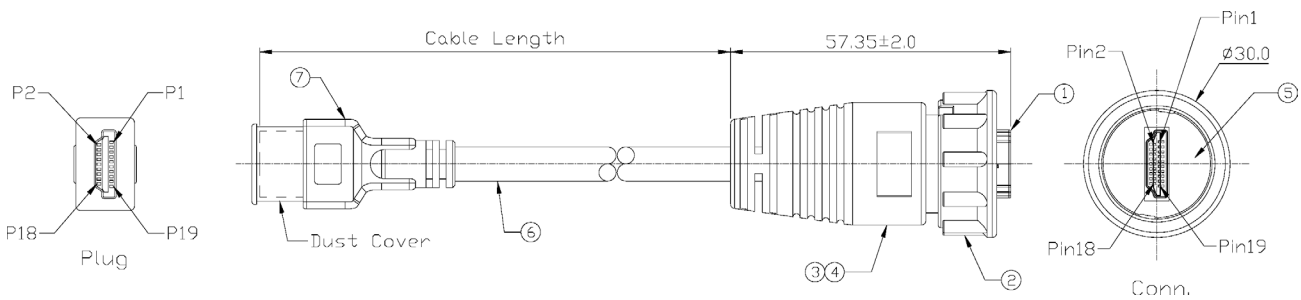
HDMI Connector, Cable Assemblies and Plastic Dust Cap



MP007434 & MP007436 HDMI C4 Plastic Cable End Plug Lock with HDMI Plug

Specifications

IP Rating : IP67



Dimensions : Millimetres

1	Brown	1	10	Blue	10
2	Drain	2	11	Drain	11
3	White	3	12	White	12
4	Red	4	13	Black	13
5	Drain	5	14	Red	14
6	White	6	15	Orange	15
7	Green	7	16	Yellow	16
8	Drain	8	17	Drain	17
9	White	9	18	Purple	18
			19	White	19
			Shell	Drain+Braid	Shell

Plug Conn. Plug Conn.

Wiring Diagram

No.	Part Name	Material/Finish	Qty.
1	HDMI Plug	Housing: Thermoplastic; Colour: Black	1
		Contacts: Copper Alloy, Finish: Au Plated	
		Shell: Copper Alloy, Finish: Au Plated	
2	Metal Screw Nut	Thermoplastic; Colour: Black	
3	Inner Mold	Thermoplastic; Colour: Black	
4	Over Mold	PVC; Colour: Black	
5	Rubber Pad	Silicon; Colour: Black	
6	Cable	UL20276 [(28#/1PR+EAM)×5+(28#/4C)]+AB85% Colour: Black, OD=7.3mm	
7	HDMI Male	HDMI 19P male IDC Type; Colour: Black	

Newark.com/multicomp-pro
Farnell.com/multicomp-pro
Element14.com/multicomp-pro



Part Number Table

Description	Part Number
HDMI Receptacle Connector, C4 Panel Mount, IP67	MP002463
HDMI Cable Assembly, Receptacle to Receptacle, IP67, 300mm	MP002464
HDMI Cable Assembly, Receptacle to Receptacle, IP67, 2m	MP002465
HDMI Cable Assembly, Plug to Receptacle, IP67, 300mm	MP002466
HDMI Cable Assembly, Plug to Receptacle, IP67, 2m	MP002467
Dust Cap with Plastic Chain, C4 Bayonet Panel Mount Connector, IP67	MP002473
HDMI Cable Assembly, Plug to Receptacle, IP67, 2m	MP007433
HDMI Cable Assembly, Plug to Plug, IP67, 2m	MP007434
HDMI Cable Assembly, Plug to Receptacle, IP67, 1m	MP007435
HDMI Cable Assembly, Plug to Plug, IP67, 1m	MP007436

Important Notice : This data sheet and its contents (the "Information") belong to the members of the AVNET group of companies (the "Group") or are licensed to it. No licence is granted for the use of it other than for information purposes in connection with the products to which it relates. No licence of any intellectual property rights is granted. The Information is subject to change without notice and replaces all data sheets previously supplied. The Information supplied is believed to be accurate but the Group assumes no responsibility for its accuracy or completeness, any error in or omission from it or for any use made of it. Users of this data sheet should check for themselves the Information and the suitability of the products for their purpose and not make any assumptions based on information included or omitted. Liability for loss or damage resulting from any reliance on the Information or use of it (including liability resulting from negligence or where the Group was aware of the possibility of such loss or damage arising) is excluded. This will not operate to limit or restrict the Group's liability for death or personal injury resulting from its negligence. Multicomp Pro is the registered trademark of Premier Farnell Limited 2019.