

RoHS
Compliant



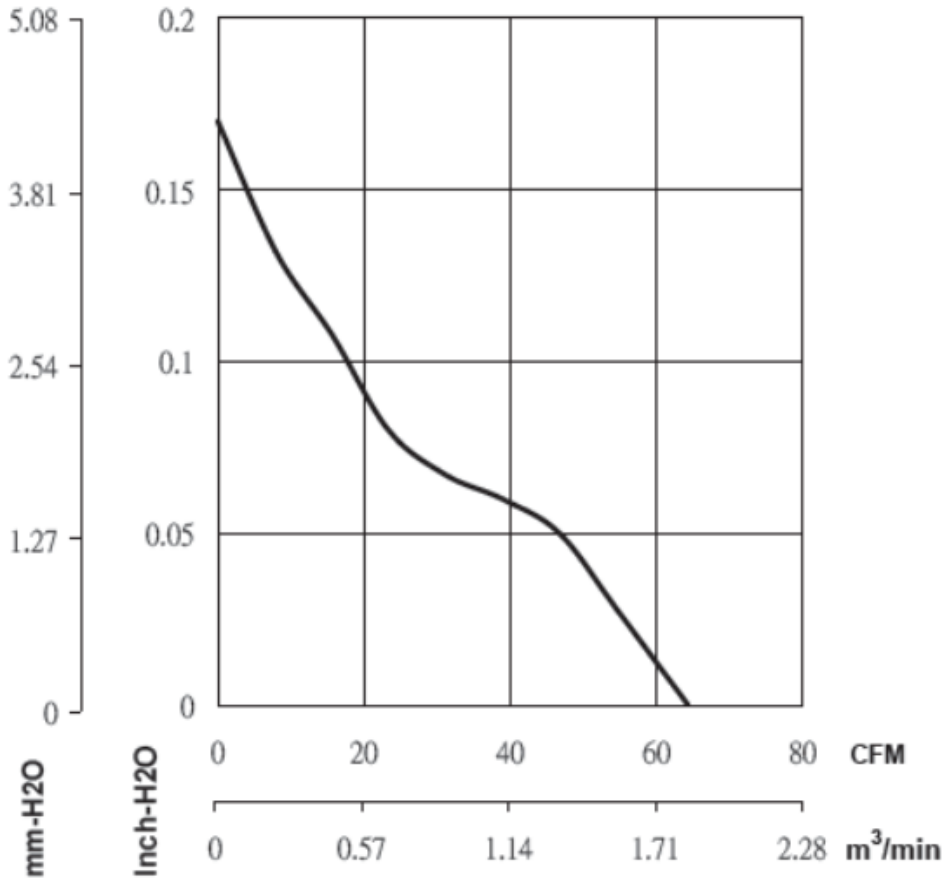
Characteristics

Motor Design	: Single phase, 4-poles Brushless DC motor.
Insulation Resistance	: 10 MΩ minimum at 500V DC.
Dielectric Strength	: 1800V AC for one second.
Motor Protection	: Impedance Protected.
Noise Level	: Measured in a semi-anechoic chamber with background noise level below 15 dB(A). The fan is running in free air with the microphone at a distance of one meter from the fan intake.
Tolerance	: ±20% on rated power and current.
Air Performance	: Measured by a double chamber. The values are recorded when the fan speed has stabilized at rated voltage.

Specification

Rated Voltage	: 100V AC to 240V AC 50Hz/60Hz
Operating Voltage Range	: 90V AC to 265V AC 50Hz/60Hz
Safety Certification Voltage Range	: 100V AC to 240V AC 50Hz/60Hz
Starting Voltage	: 85V AC (25°C Power ON/OFF)
Rated Speed	: 2000 RPM ±15%
Air Delivery	: 64.3 CFM / Min. 47.3 CFM
Static Pressure	: 0.17 Inch-H ₂ O 0.11 Inch-H ₂ O
Rated Current	: 37 mA 22mA
Rated Power	: 1.8 Watts
Noise Level	: 31.4 dB(A) / Max. 35.9 dB(A)
Direction of Rotation	: Counter-clockwise viewed from front of fan blade
Operating Temperature	: -25°C +70°C
Storage Temperature	: -40°C +70°C
Bearing System	: Precision ball bearing system
Weight	: 317g
Safety	: UL/CUR/TUV/CE/ATEX Approvals
Protection	: Automatic Restart Capability
Ingress Protection	: IP68

Performance Curves

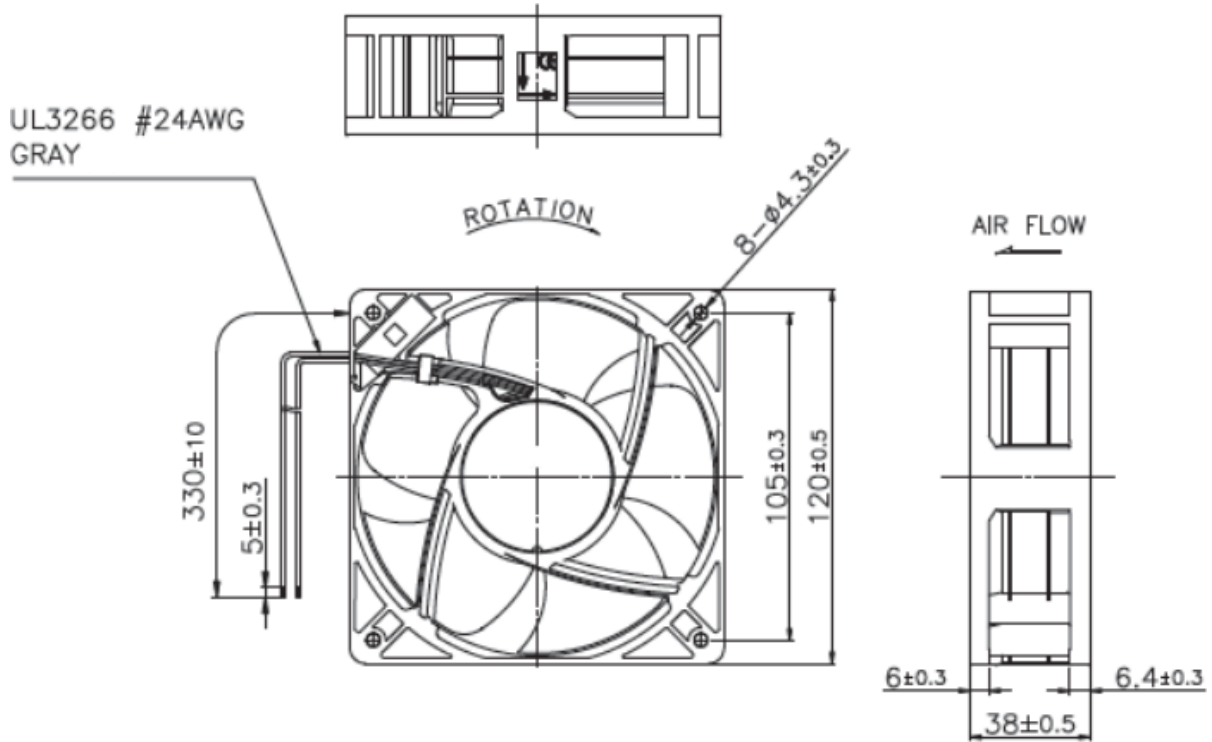


Material

Frame : Thermoplastic PBT of UL 94V-0
 Impeller : Thermoplastic PBT of UL 94V-0
 Lead Wire : UL 3266 #24AWG, Gray

Dimensions

Screw Type (Pan Head)	Torque	Screw Spec.	
		Size	Standard
Machine Screw	3~4 kgf-cm	M4	JIS B1111-1974
Self-Tapping Screw	5~8 kgf-cm	Ø5	JIS B1122 Type 2



Best Mounting Direction: Any orientation.

Dimensions : Millimetres

Part Number Table

Description	Part Number
AC Axial Fan, 120mm × 38mm, 100V-240V AC, IP68	MP-CF4113LBL-0000-AED

Important Notice : This data sheet and its contents (the "Information") belong to the members of the AVNET group of companies (the "Group") or are licensed to it. No licence is granted for the use of it other than for information purposes in connection with the products to which it relates. No licence of any intellectual property rights is granted. The Information is subject to change without notice and replaces all data sheets previously supplied. The Information supplied is believed to be accurate but the Group assumes no responsibility for its accuracy or completeness, any error in or omission from it or for any use made of it. Users of this data sheet should check for themselves the Information and the suitability of the products for their purpose and not make any assumptions based on information included or omitted. Liability for loss or damage resulting from any reliance on the Information or use of it (including liability resulting from negligence or where the Group was aware of the possibility of such loss or damage arising) is excluded. This will not operate to limit or restrict the Group's liability for death or personal injury resulting from its negligence. Multicomp Pro is the registered trademark of Premier Farnell Limited 2019.

Newark.com/multicomp-pro
 Farnell.com/multicomp-pro
 sg.element14.com/b/multicomp-pro