

**RoHS  
Compliant**

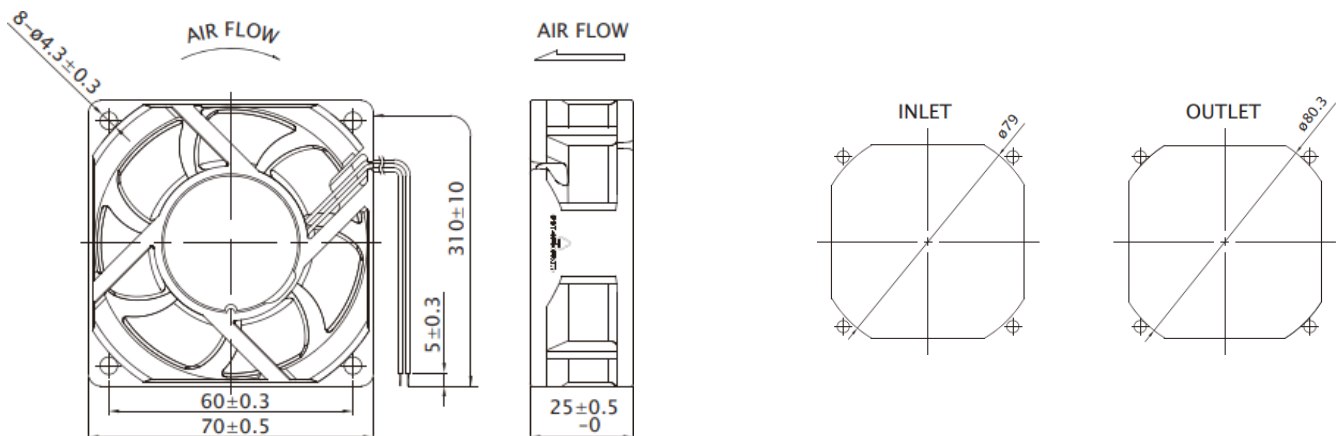


## Specification

Rated Voltage	: 200V AC to 240V AC 50Hz/60Hz
Power Current	: 0.293 AMP / 0.304 AMP
Power Consumption	: 3.6 WATTS / 3.9 WATTS
Speed	: 3500 RPM / 3600 RPM
Air Flow	: 28 CFM / 29 CFM
Static Pressure	: 0.17Inch-H <sub>2</sub> O / 0.18 Inch-H <sub>2</sub> O
Noise	: 30 dB A / 31 dB A
Weight	: 85.4g
Bearing System	: Vapo Bearing System

## Air Flow & Static Pressure Curve

### Dimensions



All model could be customized.  
Specifications are subject to change without notice.

Dimensions : Millimetres

## Part Number Table

Description	Part Number
AC Axial Fan, 70mm × 70mm × 25mm, 200V-240V AC	MP-CF2072HVL-10000-999

**Important Notice :** This data sheet and its contents (the "Information") belong to the members of the AVNET group of companies (the "Group") or are licensed to it. No licence is granted for the use of it other than for information purposes in connection with the products to which it relates. No licence of any intellectual property rights is granted. The Information is subject to change without notice and replaces all data sheets previously supplied. The Information supplied is believed to be accurate but the Group assumes no responsibility for its accuracy or completeness, any error in or omission from it or for any use made of it. Users of this data sheet should check for themselves the Information and the suitability of the products for their purpose and not make any assumptions based on information included or omitted. Liability for loss or damage resulting from any reliance on the Information or use of it (including liability resulting from negligence or where the Group was aware of the possibility of such loss or damage arising) is excluded. This will not operate to limit or restrict the Group's liability for death or personal injury resulting from its negligence. Multicomp Pro is the registered trademark of Premier Farnell Limited 2019.