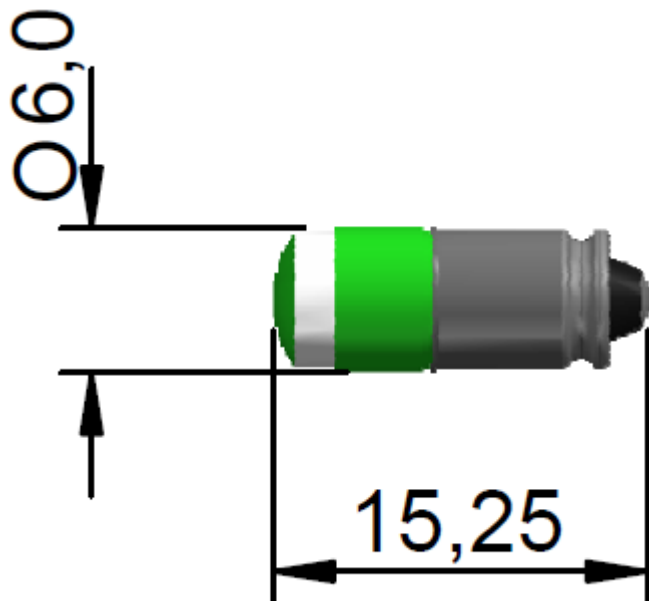


Datasheet

Green Midget Groove LED Indicator Lamp

RS Stock number 204-681

Dimensions (mm):



Specifications:

LED/Multiled	Multiled	Optimum voltage (V)	28Vdc	Intensity	35mcd
Mounting Size	TI 3/4	Rectifier	-		
Mounting Finish	-	AC current	-		
Protection	-	DC current	20mA		
Mount Holder	Midget Groove	Voltage Tolerance (%)	10%		
Chip Qty	6	Optimum temperature (°C)	-30°C...+65°C		
Indicator colour	Green	Storage temperature (°C)	-30°C...+65°C		
Wavelength (nm)	565	Contact Tab	Midget Groove		