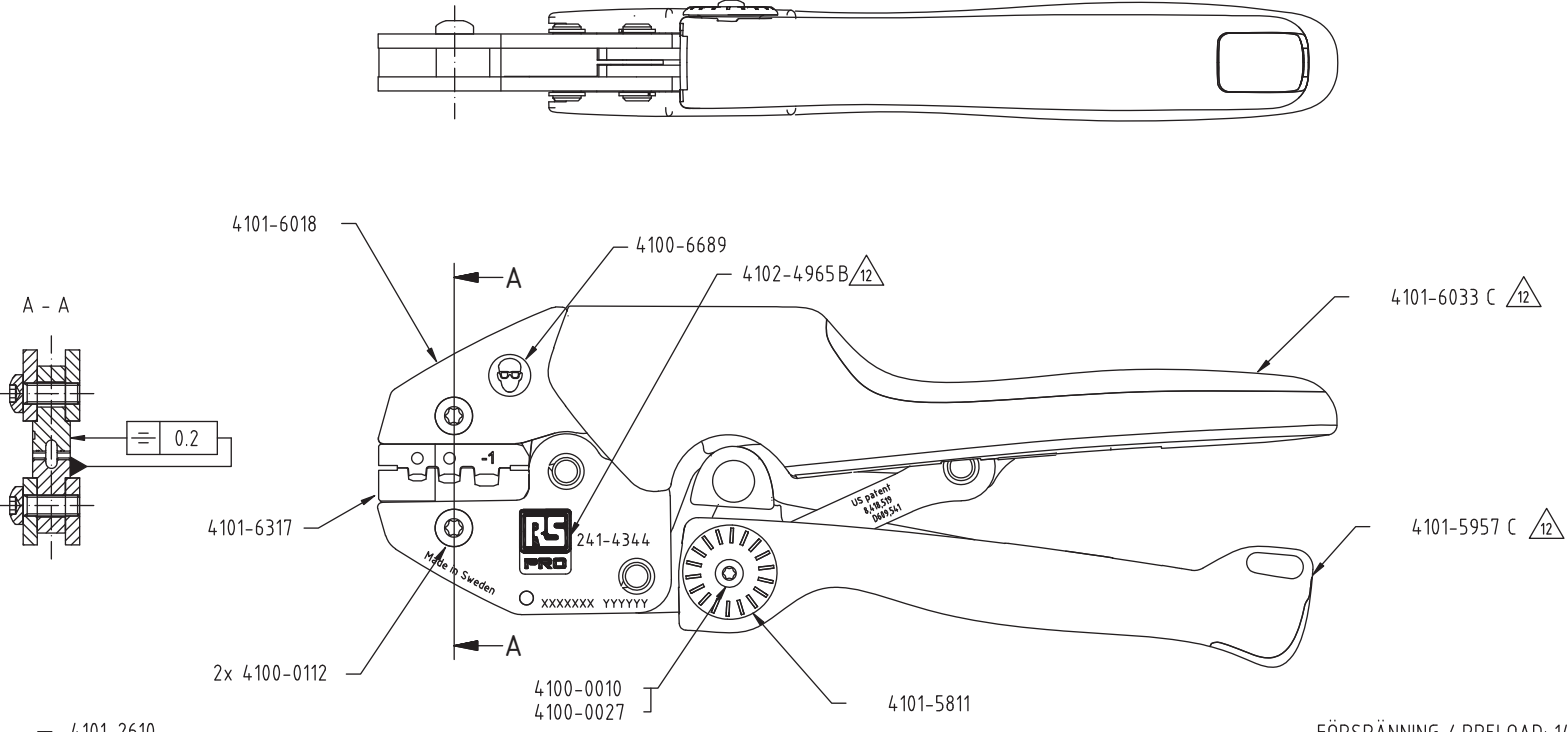


Rev	Change order	Change: A = Added W = Was D = Deleted	Date	Sign
12	3918	C to RS-Pro design	201009	SE

LASERMÄRKNING/LASER MARKING:
 TEXTFONT: GEN-ISO
 Datumkod / Date code "YYYYYY"
 Serienummer / Serial number "XXXXXXX"



4101-2610
 4101-7841
 4102-6067 B - placering position D
 4102-6094

Packas enligt förpackningsritning 4101-6036
 Packed according to drawing 4101-6036

FÖRSPÄNNING / PRELOAD: 140 ± 30 N

Tolkmått / Gauge dimensions (mm)		
URTAG NEST	Gåtolk GO	Stopptolk NO GO
TRANSP.GRÖN/GREEN	∅1.30	∅1.50
MELL.GRÖN/MED. GREEN	∅1.75	∅1.95
RÖD/RED	∅2.40	∅2.60

Material		Behandling/Treatment			Status Prel.utc.	
Konstr./Design CF	Ritad/Drawn TGW	Datum/Date 2012-12-18	Skala/Scale 1:1	Kontr./Checked	Godk./Approved	Rene/Blank
Benämning/Denomination KRIMPTÅNG 241-4344 CRIMPING TOOL KSA 0110S			Vikt/Véigt.grun 43002231		Art grp 012	
			REV 012			