

Datasheet

RS PRO DIN PLUG SCREW LOCK

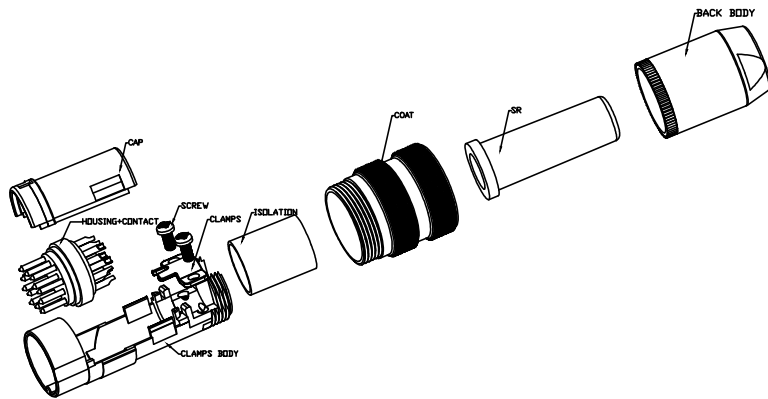
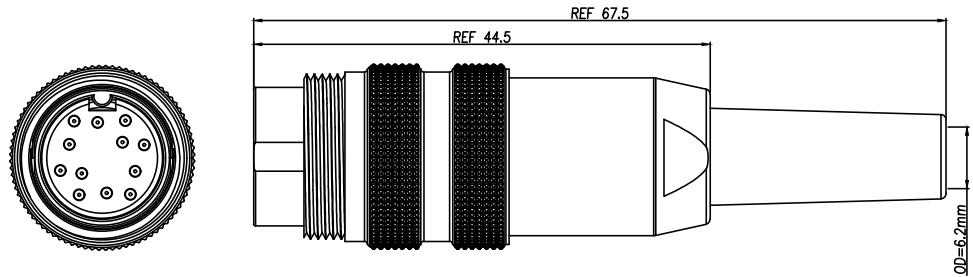
Stock No: 2100212 , 2100193 , 2100200 , 2100205 , 2100209



Technical Specifications:

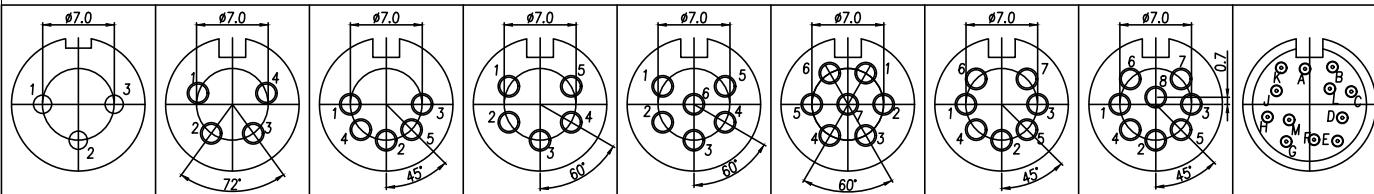
To include attributes e.g. height, width, depth, color etc.

Connector type:	Plug
Mounting type:	Cable
IP Rating:	IP40
Contact Gender:	Male
Number of Contact:	3~12



1. MATERIAL :
- 1-1. HOUSING : NYLON UL94V-0 ; COLOR : BLACK
 - 1-2. CONTACT :BRASS
 - 1-3. CAP : ZINC ALLOY
 - 1-4. CLAMPS BODY : ZINC ALLOY
 - 1-5. SCREW : SPCC
 - 1-6. CLAMPS : ZINC ALLOY
 - 1-7. ISOLATION : PVC
 - 1-8. COAT : BRASS
 - 1-9. BACK BODY : NYLON+GF15% UL94V-0 ;COLOR: BLACK
 - 1-10. SR : PVC

2. FINISH :
- 2-1. CONTACT : GOLD FLASH MICRO INCHES MIN.
 - 2-2. CAP : NICKEL PLATED
 - 2-3. CLAMPS : NICKEL PLATED
 - 2-4. CLAMPS BODY : NICKEL PLATED
 - 2-5. SCREW : NICKEL PLATED
 - 2-6. COAT : NICKEL PLATED
3. ELECTRICAL SPECIFICATION :
- 3-1. Rated current : 3PIN~8PIN 5A ; 12PIN 3A
 - 3-2. Rated Voltage : 3PIN~8PIN 250V ;12PIN 60V
 - 3-3. Water proof : IP40
4. Environmental :
- 4-1. Operation Temperature : -20 ℃~85℃



DP1603PANY

DP1604PANY

DP1605APANY

DP1605BPANY

DP1606PANY

DP1607BPANY

DP1607PANY

DP1608APANY

DP1612PANY