

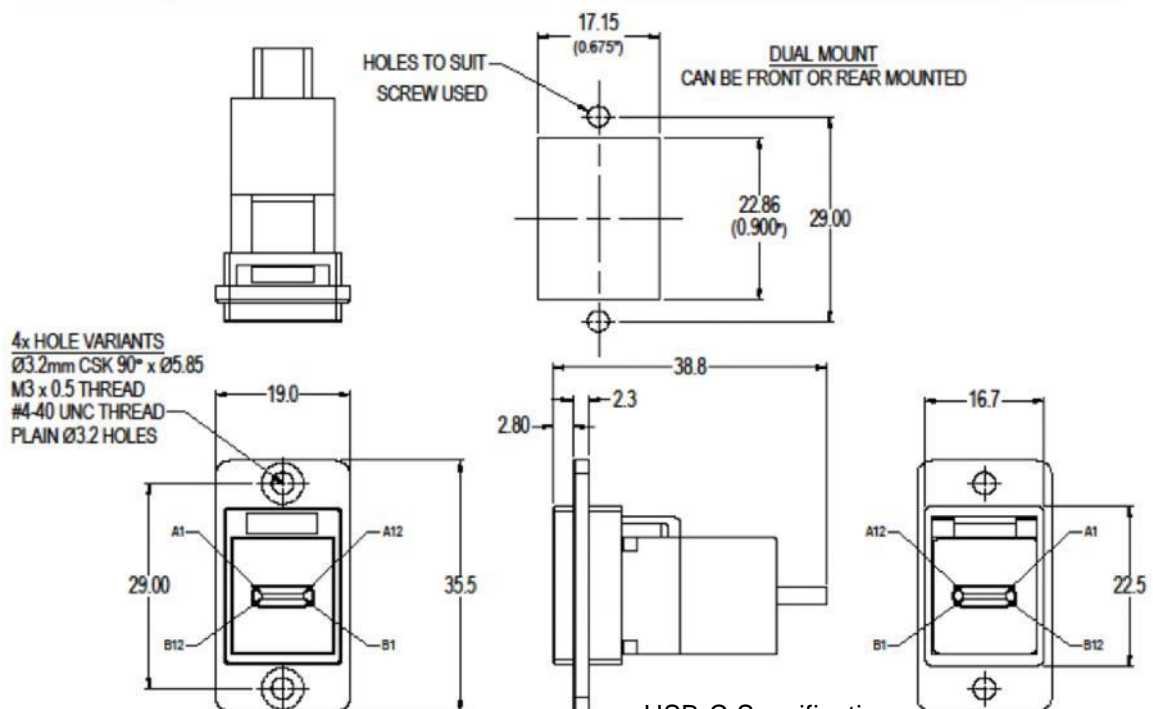


ENGLISH

Datasheet

RS PRO SLIM DUAL MOUNTING METAL FRAME USB-C F-M FT CONNECTOR

Stock No: 2354758, 2354759



Materials:
Frame: Diecast, Nickel or black plated
Insert: ABS - UL94 HB

rspro.com

USB-C Specification:

Maximum Rated Current - 3A
Maximum Working Voltage - 30V
Withstanding Voltage - 100V for 1 minute.
Contact Resistance - 40 Milli-ohms Max.
Insulation Resistance - 100 Mega-ohms Min.
Insulator Flammability Rating - UL-94V0
Insertion Life - 10,000 Cycles.

Features & Benefits:

- Fits standard rectangular cutout.
- Front or rear mounting through the panel.
- Various hole mounting options
- No soldering or punch termination. Use standard cable for each connector style.
- Low rear profile

General:

Please note: Functionality is affected by cable quality, length and cable wiring configuration.

Other models available:

Part No.

2354758 - DUALSLIM FT USB-C F-M, Nickel frame, CSK holes

2354759 - DUALSLIM FT USB-C F-M Black metal frame, CSK holes

Applications

- Space and aviation
- Education
- Industrial
- Broadcast and A/V
- Process control
- B2C
- MIL
- Medical
- Vending and gaming

