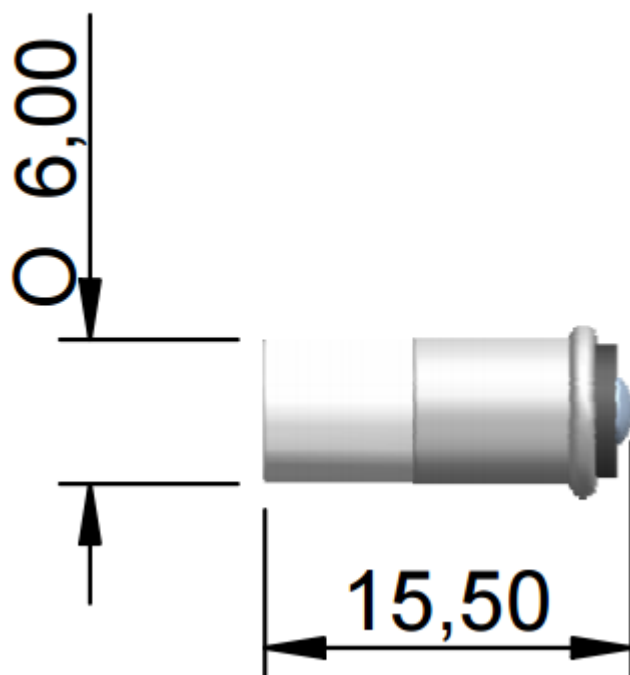


Datasheet

LED Indicator Lamp

RS ITEM NO 207-090



| | | | | | |
|------------------|--------------------|--------------------------|-------------------|-----------|---------|
| LED/Multiled | LED | Optimum voltage (V) | 28vdc | Intensity | 2070mcd |
| Mounting Size | | Rectifier | | | |
| Mounting Finish | | AC current | | | |
| Protection | | DC current | 15mA | | |
| Mount Holder | T1 ¼ Midget Flange | Voltage Tolerance(%) | 10% | | |
| Chip Qty | 1 | Optimum temperature (°C) | -30°C...+60°C | | |
| Indicator colour | White | Storage temperature (°C) | -30°C...+60°C | | |
| Wavelength (nm) | | Contact Tab x 2 | Midget Flange Cap | | |



*Dimension in mm (typical), not to scale.
We reserve the right to make changes without further notice to this product to improve reliability, function or design.*