

# 60W External Plug In Adapter

## 12V DC, 5A

**multicomp** PRO

**RoHS  
Compliant**



### Features

- Universal Input
- IEC-320-C14 Input Connector
- Efficiency Level VI
- Safety approved to: UL, CUL, FCC, GS, CE, RCM

### Description

Our Range of 60 Watt AC/DC switch mode power supplies provide 60 Watts of continuous output power in a high quality compact enclosure suitable for many general power applications.

### Specifications

Input Voltage Range	90V AC to 264V AC
Input Frequency Range	47Hz to 63Hz
Input Connector	IEC 320 to C14
Input Current	1.5A at 100V AC/ 60Hz– at 240V AC/ 50Hz
Inrush Current	50A Max. at 115V AC Cold Start 100A Max. at 230V AC Cold Start
Leakage Current	0.25mA
Efficiency	88% Min
Input Power (Output: No Load)	<0.1W (CEC & DOE level VI Compliant)
Output Voltage Rating	12V DC
Output Current Range	5A
Output Min Current	0A
Output Connection Type	2.1mm × 5.5mm × 12mm Centre Positive - Right Angle
Line and Load Regulation	±5%
Over Voltage Protection	The Output Voltage Shall be Clamped by/V; at full load and no load with Rated input voltage.
Over Current Protection	The Output Current is Less than 10A at 230V AC.
Short Circuit Protection	The Power Supply Shall Have Self-limiting protection. This protection can withstand a Continuous Output Short without Dam-aged, and Auto-recovery operation after the short is removed.
Ripple Voltage	150 mV (p-p) (100V-240V AC Input )
Hi-Pot	1500V AC or 2121V DC 10mA 1 min
Safety Approved	GS, CB, CE, UL/CUL, RCM, R-MEPS
EMI Standard	FCC Class B, CE
Operating Temperature Range	0°C to +40°C
Storage Temperature	-40°C to +80°C
Operating Humidity	20% to 80%
Storage Humidity	20% to 98%
Dimensions	118mm (L) × 51.4mm (W) × 34mm (H)
Product Weight	272g
Regulator Type	Switched Mode Power Supply

Newark.com/multicomp-pro  
Farnell.com/multicomp-pro  
Element14.com/multicomp-pro

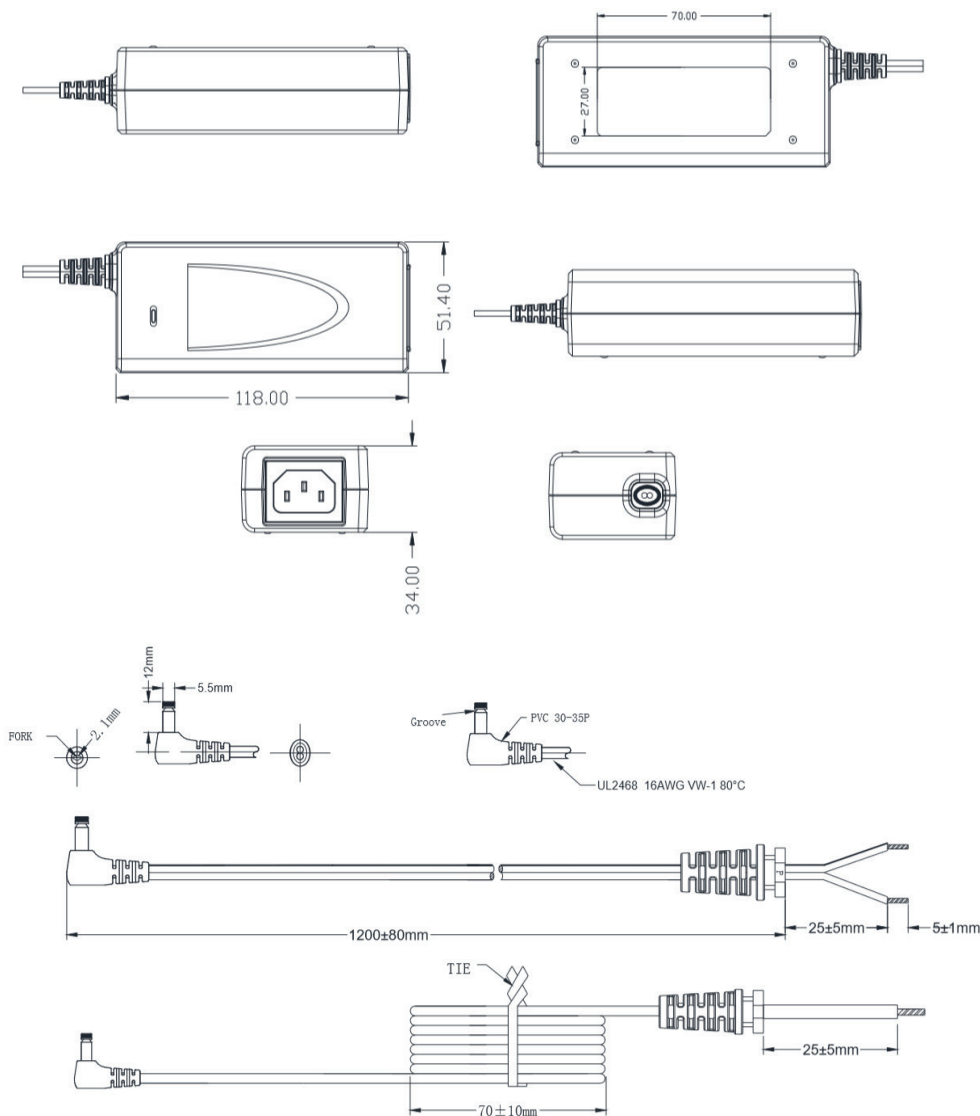
**multicomp** PRO

# 60W External Plug In Adapter

## 12V DC, 5A

**multicomp** PRO

### Diagram



Dimensions : Millimetres

### Part Number Table

Description	Part Number
External Plug In Adapter, 60W, 12V DC, 5A, IEC C14 Socket	MP001995

**Important Notice :** This data sheet and its contents (the "Information") belong to the members of the AVNET group of companies (the "Group") or are licensed to it. No licence is granted for the use of it other than for information purposes in connection with the products to which it relates. No licence of any intellectual property rights is granted. The Information is subject to change without notice and replaces all data sheets previously supplied. The Information supplied is believed to be accurate but the Group assumes no responsibility for its accuracy or completeness, any error in or omission from it or for any use made of it. Users of this data sheet should check for themselves the Information and the suitability of the products for their purpose and not make any assumptions based on information included or omitted. Liability for loss or damage resulting from any reliance on the Information or use of it (including liability resulting from negligence or where the Group was aware of the possibility of such loss or damage arising) is excluded. This will not operate to limit or restrict the Group's liability for death or personal injury resulting from its negligence. Multicomp Pro is the registered trademark of Premier Farnell Limited 2019.

Newark.com/multicomp-pro  
 Farnell.com/multicomp-pro  
 Element14.com/multicomp-pro

**multicomp** PRO