

Datasheet

RS Pro Shielded Power Inductors



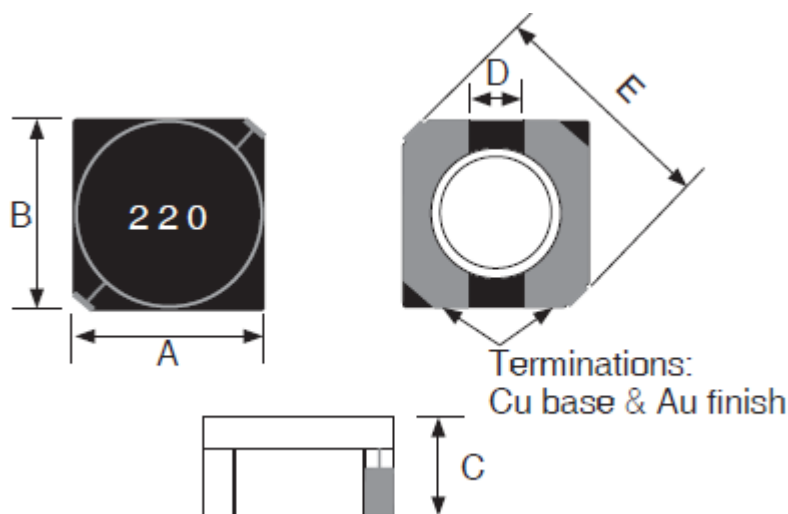
Features:

- Shielded Power Inductor
- Small size with current ratings to 5.2A
- Surface mountable construction
- High inductance (up to 1000 μ H)
- Taped and reeled for automatic insertion
- For use in DC/DC converters

Case Size	53
Inductance Range	2.2 ~ 680 μ H
Inductance Tolerance	-55 $^{\circ}$ C ~ +85 $^{\circ}$ C
Ambient Operating Temperature Range	+125 $^{\circ}$ C
Maximum Component Temperature (Ambient + Self-Heating)	+40 $^{\circ}$ C
Inductance Change at Isat	-35% typical
Temperature Raise at Irms	\pm 20% (M), \pm 30% (Y)
Resistance to Solder Heat	+250 $^{\circ}$ C for 10 seconds

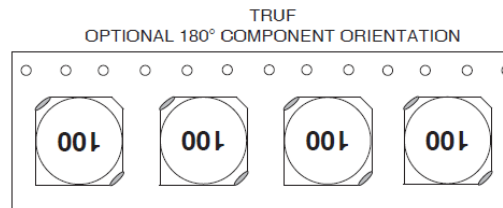
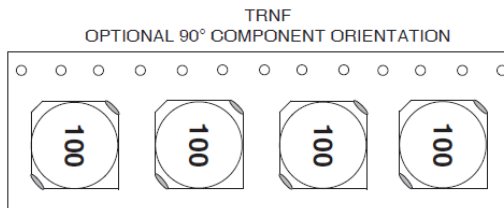
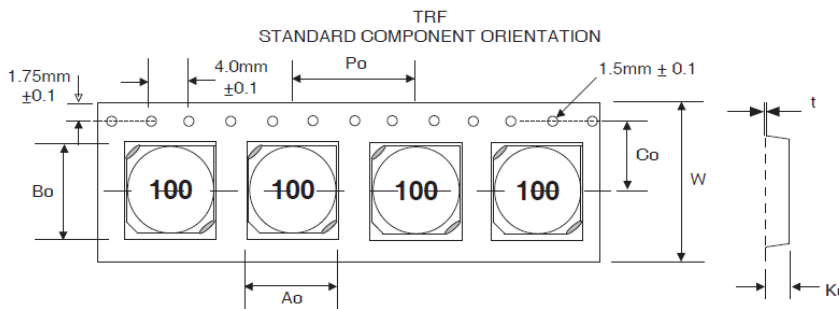
Dimensions:

Size	A	B	C	D typ.	E	F typ.
53	5.7 ± 0.3	5.7 ± 0.3	2.8 ± 0.3	1.8	7.7 ± 0.5	/

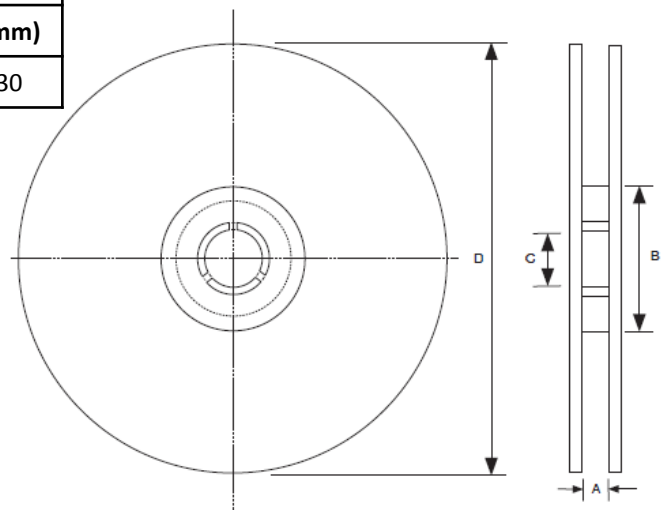


Stock No.	Standard Values - Case Size 43 (4.5 x 4.0 x 3.2mm)			
	Inductance Value (μH)	DC Resistance (Ω)	DC Current $I_{\text{sat}}/I_{\text{rms}}$ (Amps)	Test Conditions (L)
7419145	$10 \pm 20\%$	0.065	1.3	1KHz, 0.3V
7419155	$22 \pm 20\%$	0.122	0.9	1KHz, 0.3V
7419170	$47 \pm 20\%$	0.25	0.62	1KHz, 0.3V
7419189	$100 \pm 20\%$	0.52	0.42	1KHz, 0.3V

Chip Size	Reel Qty.	Carrier Tape Dimensions (mm)						
		W	A0	B0	Co	K0	Po	t
53	2,500	12.0	6.2	6.2	5.5	3.2	8	0.3



Tape Width	Reel Dimensions (mm)			
	A(mm)	B(mm)	C(mm)	D(mm)
16mm	16.5 ±0.1	100 ±1	13 ±0.5	330



Size	Reel Quantity (330mm Reel)
Qty./Reel	2500
Tape Width	16mm